
BUILT-IN REFRIGERATOR COLUMNS
BUILT-IN FREEZER COLUMNS
BUILT-IN WINE COLUMNS
BUILT-IN BOTTOM MOUNT

DESIGN GUIDE - EU



INTRODUCTION

REFRIGERATORS

Refrigerators are a core building block of every kitchen. Bertazzoni offers a wide range of applications, sizes, and installation options, which are all harmonized by design to match the entire kitchen appliance suite.

Bertazzoni refrigerators are available in various styles, including Columns, Bottom Mount, and French Door models. With the Bertazzoni Design Guide, you can enjoy flawless installation of all the built-in 212 cm (84") models from the both the T and V tier lineup.

These built-in models are designed to accommodate custom kitchen panels or stainless-steel doors and handles that match the other appliances in your kitchen. They can be installed proud or flush with the cabinets, bringing your personal style to the kitchen.

We've taken care of every detail so that you can enjoy a seamless and elegant look in your kitchen.

INDEX



INTRODUCTION 2

T TIER LINE UP 4

BUILT-IN REFRIGERATOR COLUMNS 5

90 cm (36") Refrigerator Column Panel Installed	7
90 cm (36") Refrigerator Column Panel Ready	10
75 cm (30") Refrigerator Column Panel Installed	13
75 cm (30") Refrigerator Column Panel Ready	16
60 cm (24") Refrigerator Column Panel Installed	19
60 cm (24") Refrigerator Column Panel Ready	22

BUILT-IN FREEZER COLUMNS 25

75 cm (30") Freezer Column Panel Installed	27
75 cm (30") Freezer Column Panel Ready	30
60 cm (24") Freezer Column Panel Installed	33
60 cm (24") Freezer Column Panel Ready	36

BUILT-IN WINE COLUMNS 39

60 cm (24") Wine Column Panel Installed	41
60 cm (24") Wine Column Panel Ready	44
45 cm (18") Wine Column Panel Installed	47
45 cm (18") Wine Column Panel Ready	50

COLUMNS MULTIPLE INSTALLATIONS 53

105 cm (42") Double Configurations	56
120 cm (48") Double Configurations	57
135 cm (54") Double Configurations	58
150 cm (60") Double Configurations	59
180 cm (72") Triple Configurations	60
195 cm (78") Triple Configurations	61
210 cm (84") Triple Configurations	62
225 cm (90") Triple Configurations	63
Custom Door Panel	64
Recommended Installations	65
Refrigeration Handles	66
Toekick Panel	67

BUILT-IN BOTTOM MOUNT REFRIGERATORS 68

90 cm (36") Bottom Mount Panel Installed	70
90 cm (36") Bottom Mount Panel Ready	73
75 cm (30") Bottom Mount Panel Installed	76
75 cm (30") Bottom Mount Panel Ready	79

BOTTOM MOUNT MULTIPLE INSTALLATIONS 82

150 cm (60") Bottom Mount Double Configurations	85
165 cm (66") Bottom Mount Double Configurations	86
180 cm (72") Bottom Mount Double Configurations	87
120 cm (48") Double Configurations	88

135 cm (54") Double Configurations	89
150 cm (60") Double Configurations	90
Custom Door Panel	91
Refrigeration Handles	92
Bottom Mount Refrigeration Handles	93

V TIER LINE UP 94

BUILT-IN REFRIGERATOR COLUMNS 95

75 cm (30") Refrigerator Column Panel Ready	97
60 cm (24") Refrigerator Column Panel Ready	100

BUILT-IN FREEZER COLUMNS 103

60 cm (24") Freezer Column Panel Ready	105
45 cm (18") Freezer Column Panel Ready	108

BUILT-IN WINE COLUMNS 111

60 cm (24") Wine Column Panel Ready	113
45 cm (18") Wine Column Panel Ready	116

COLUMNS MULTIPLE INSTALLATIONS 119

105 cm (42") Double Configurations	122
120 cm (48") Double Configurations	123
135 cm (54") Double Configurations	124
150 cm (60") Triple Configurations	125
165 cm (66") Triple Configurations	126
180 cm (72") Triple Configurations	127
195 cm (78") Triple Configurations	128
Custom Door Panel	129
Recommended Installations	130
Refrigeration Handles	131

BUILT-IN BOTTOM MOUNT AND FRENCH DOOR REFRIGERATORS 132

90 cm (36") French Door Bottom Mount Panel Ready	134
90 cm (36") Bottom Mount Panel Ready	137
75 cm (30") Bottom Mount Panel Ready	140

BOTTOM MOUNTS MULTIPLE INSTALLATIONS 143

150 cm (60") Bottom Mount Double Configurations	146
165 cm (66") Bottom Mount Double Configurations	147
180 cm (72") Bottom Mount Double Configurations	148
120 cm (48") Double Configurations	149
135 cm (54") Double Configurations	150
150 cm (60") Double Configurations	151
French Door Custom Door Panel	152
Bottom Mount Custom Door Panel	153
French Door Refrigeration Handles	154
Bottom Mount Refrigeration Handles	156

T TIER LINE UP



BUILT-IN REFRIGERATOR COLUMNS

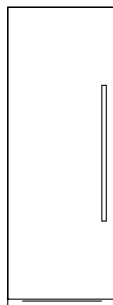


BUILT-IN COLUMNS

Refrigerators, freezers, and wine columns from the T tier are masterpieces of design and technology. Their stylish appearance reflects close attention to detail and high-quality materials, inside and out.

The stainless steel front and panel-ready doors are mounted with state-of-the-art engineered lift-and-swing hinges that give the perception of a weightless range of motion. Versatile installation options make it possible to bring together elegant configurations of the refrigerator, freezer, and wine column in any desired width. All three columns work in harmony with handles and finishes available for every Series.

90 cm - 75 cm - 60 cm
(36" - 30" - 24")
Panel Ready and
Panel Installed





90 cm (36") Refrigerator Column Panel Installed

Dimensions



LRD905UBLXTT/24 left hinge
LRD905UBRXTT/24 right hinge

Handle choices

Professional Series: PROHKCOL

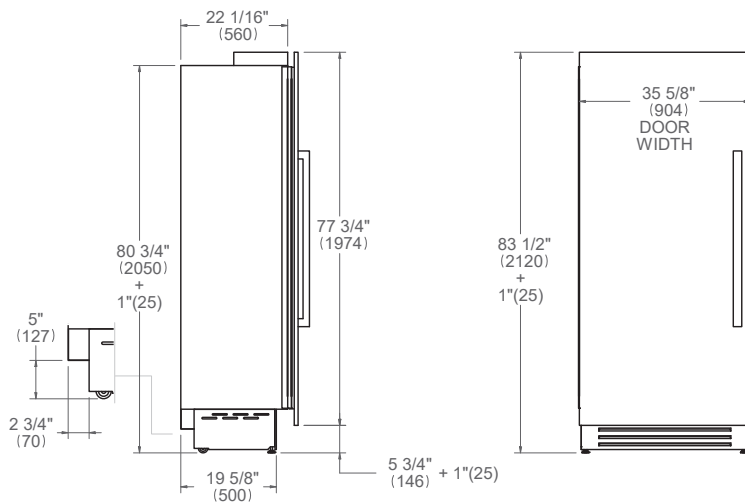
Master series: MASHKCOL

Heritage Series: HERHKCOL

SIDE VIEW

FRONT VIEW

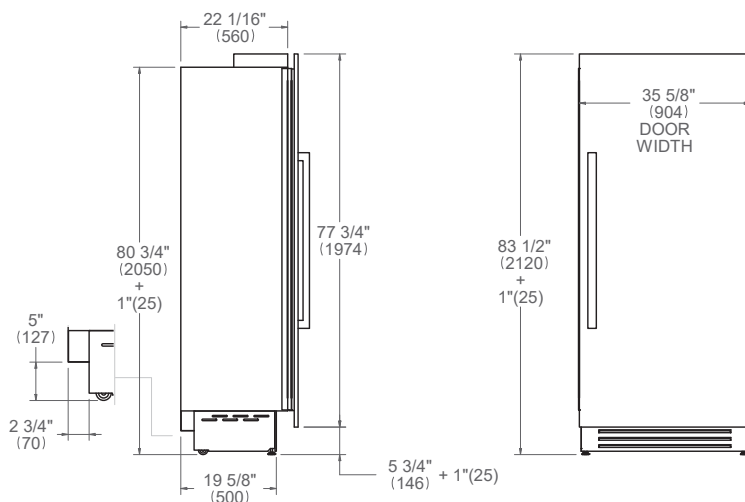
TOP VIEW



SIDE VIEW

FRONT VIEW

TOP VIEW



* Maximum Overall Handle Dimension
For detailed handle dimensions see page 74

90 cm (36") Refrigerator Column Panel Installed

Installation requirements



INSTALLATION

All Bertazzoni columns can be installed in a standard 635 mm (25") depth cutout.

Finish the edges of the opening because they may be visible when the door is open.

For a built-in installation, to cover gaps between the appliance and the adjacent cabinets, special side profiles are factory-installed and covering frames are provided with the product.

For instructions of product combinations please see the Multiple Installation Section (page 59).

CABINET REQUIREMENT

Installation of the appliance must be performed in accordance with the provisions of applicable legislation.

Be sure that support of this appliance is perpendicular to the front facing of the wall or cabinet before you perform the installation.

The floor must be flat and must be capable of supporting the weight of the appliance when in use.

Required floor support	695 kg (1532 lb)
-------------------------------	------------------

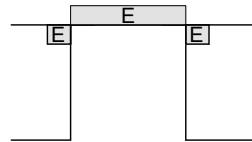
ELECTRICAL REQUIREMENT

The installation must comply with all applicable electrical codes. A properly-grounded horizontally-mounted electrical receptacle should be installed.

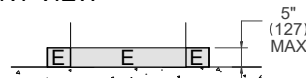
Place the electrical supply flush with the back wall and within the shaded area shown in the illustrations.

Placement within the opening may require additional cabinet depth.

TOP VIEW



FRONT VIEW



A separate circuit breaker servicing only this appliance is recommended.

Electrical supply	220-240 V 50/60 Hz 220 W 1,2 A
Service	10 Amp dedicated circuit
Power Connection	2-pole 220V SCHUKO plug with 2 m power cord

For detailed installation specifications consult the multiple installation requirements page or each single product installation manual.

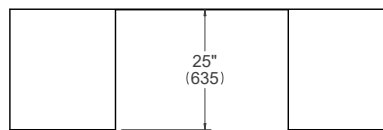
Dimensions in parentheses are millimeters unless otherwise specified.

90 cm (36") Refrigerator Column Panel Installed

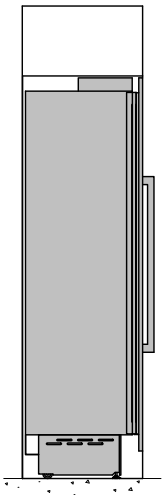
Flush installation



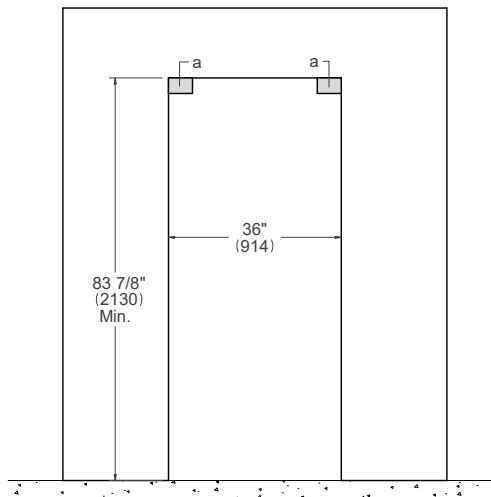
TOP VIEW^b



SIDE VIEW



FRONT VIEW



(a) Area to be left clear for the anti-tipping brackets – 140x100 mm (5 1/2" x 4")

Dimensions in parentheses are millimeters unless otherwise specified.

b: depth includes kitchen cabinet front panel.

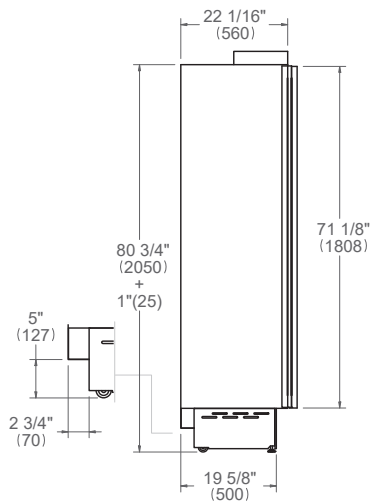
90 cm (36") Refrigerator Column Panel Ready

Dimensions

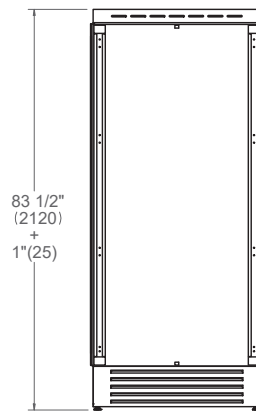


LRD905UBLPTT/24 left hinge
LRD905UBRPTT/24 right hinge

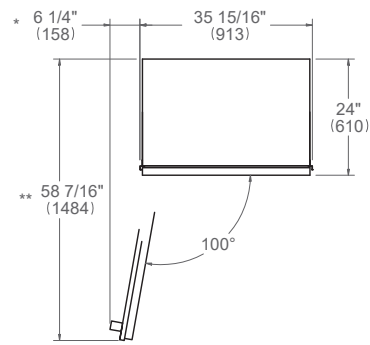
SIDE VIEW



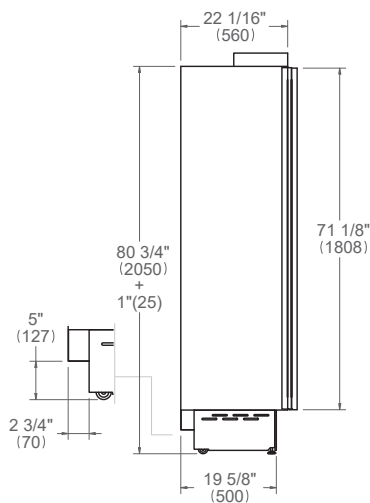
FRONT VIEW



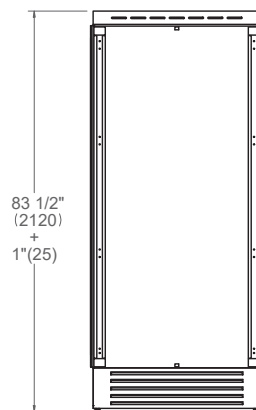
TOP VIEW



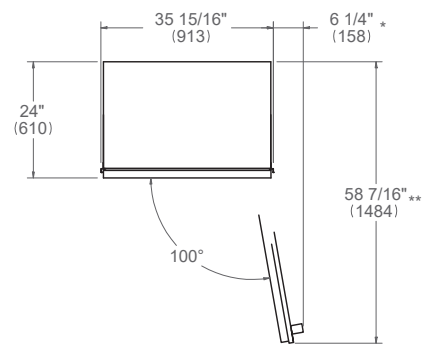
SIDE VIEW



FRONT VIEW



TOP VIEW



* Maximum Overall Handle Dimension
** 19 mm (3/4") Door Panel thickness
For custom panel dimensions see page 72
For detailed handle dimensions see page 74

Dimensions in parentheses are millimeters unless otherwise specified.
A matching Carbonio panel kit is available - SKU # SP36CC.

90 cm (36") Refrigerator Column Panel Ready

Installation requirements



INSTALLATION

All Bertazzoni columns can be installed in a standard 635 mm (25") depth cutout.

Finish the edges of the opening because they may be visible when the door is open.

For a built-in installation, to cover gaps between the appliance and the adjacent cabinets, special side profiles are factory-installed and covering frames are provided with the product.

For panel ready columns, do not exceed the maximum weight of 34 kg (75 pounds) for door panel. Panel can have thickness ranging between 19 mm (3/4") and 28 mm (1 1/8").

For instructions of product combinations please see the Multiple Installation Section (page 59).

CABINET REQUIREMENT

Installation of the appliance must be performed in accordance with the provisions of applicable legislation.

Be sure that support of this appliance is perpendicular to the front facing of the wall or cabinet before you perform the installation.

The floor must be flat and must be capable of supporting the weight of the appliance when in use.

Required floor support	695 kg (1532 lb)
-------------------------------	------------------

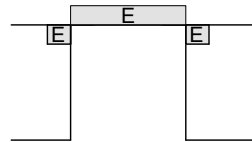
ELECTRICAL REQUIREMENT

The installation must comply with all applicable electrical codes. A properly-grounded horizontally-mounted electrical receptacle should be installed.

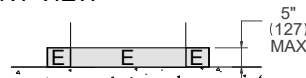
Place the electrical supply flush with the back wall and within the shaded area shown in the illustrations.

Placement within the opening may require additional cabinet depth.

TOP VIEW



FRONT VIEW



A separate circuit breaker servicing only this appliance is recommended.

Electrical supply	220-240 V 50/60 Hz 220 W 1,2 A
Service	10 Amp dedicated circuit
Power Connection	2-pole 220V SCHUKO plug with 2 m power cord

For detailed installation specifications consult the multiple installation requirements page or each single product installation manual.

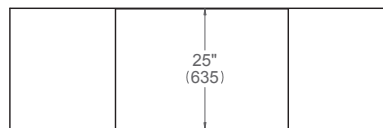
Dimensions in parentheses are millimeters unless otherwise specified.

90 cm (36") Refrigerator Column Panel Ready

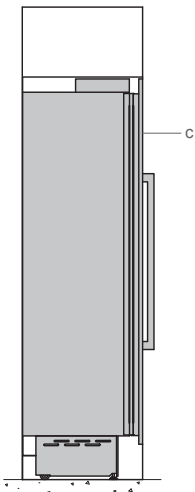
Flush installation



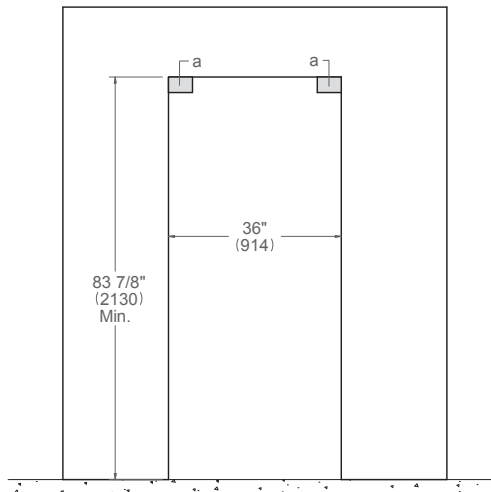
TOP VIEW^b



SIDE VIEW



FRONT VIEW



- (a) Area to be left clear for the anti-tipping brackets – 140x100 mm (5 1/2" x 4")
- (c) Panel dimensions available on Built-in Food Preservation Design Guide or Installation Manual

Dimensions in parentheses are millimeters unless otherwise specified.

b: depth includes kitchen cabinet front panel.

75 cm (30") Refrigerator Column Panel Installed

Dimensions



LRD755UBLXTT/24 left hinge
LRD755UBRXTT/24 right hinge

Handle choices

Professional Series: PROHKCOL

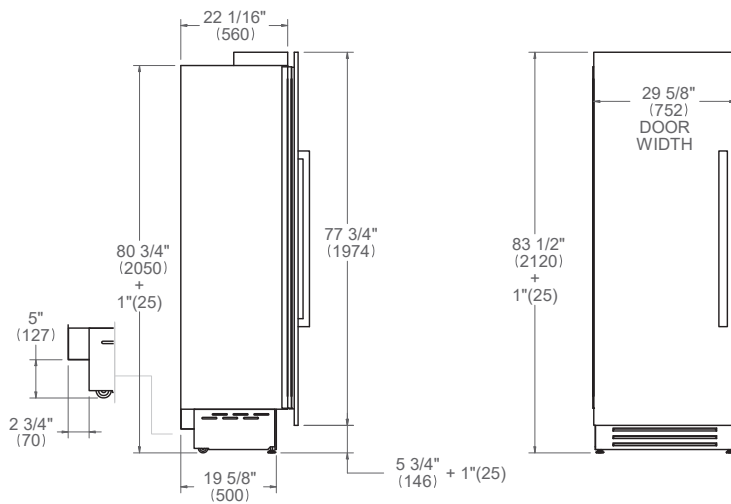
Master series: MASHKCOL

Heritage Series: HERHKCOL

SIDE VIEW

FRONT VIEW

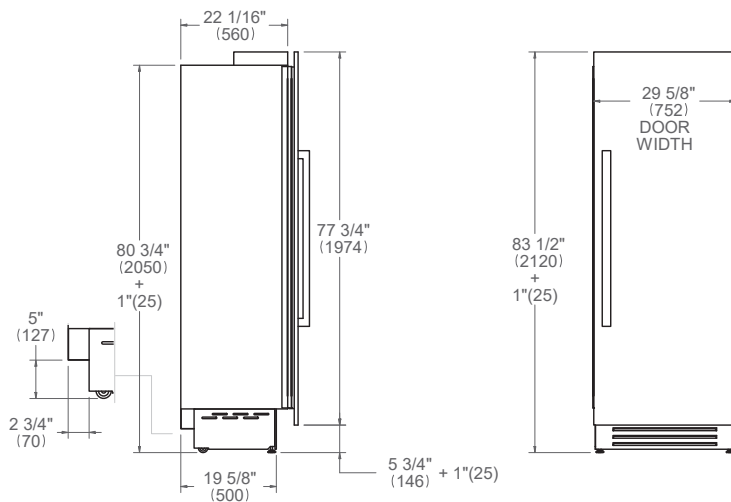
TOP VIEW



SIDE VIEW

FRONT VIEW

TOP VIEW



* Maximum Overall Handle Dimension
For detailed handle dimensions see page 74

Dimensions in parentheses are millimeters unless otherwise specified.

75 cm (30") Refrigerator Column Panel Installed

Installation requirements



INSTALLATION

All Bertazzoni columns can be installed in a standard 635 mm (25") depth cutout.

Finish the edges of the opening because they may be visible when the door is open.

For a built-in installation, to cover gaps between the appliance and the adjacent cabinets, special side profiles are factory-installed and covering frames are provided with the product.

For instructions of product combinations please see the Multiple Installation Section (page 59).

CABINET REQUIREMENT

Installation of the appliance must be performed in accordance with the provisions of applicable legislation.

Be sure that support of this appliance is perpendicular to the front facing of the wall or cabinet before you perform the installation.

The floor must be flat and must be capable of supporting the weight of the appliance when in use.

Required floor support	570 kg (1257 lb)
-------------------------------	------------------

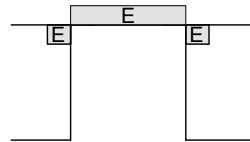
ELECTRICAL REQUIREMENT

The installation must comply with all applicable electrical codes. A properly-grounded horizontally-mounted electrical receptacle should be installed.

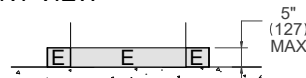
Place the electrical supply flush with the back wall and within the shaded area shown in the illustrations.

Placement within the opening may require additional cabinet depth.

TOP VIEW



FRONT VIEW



A separate circuit breaker servicing only this appliance is recommended.

Electrical supply	220-240 V 50/60 Hz 220 W 1,2 A
Service	10 Amp dedicated circuit
Power Connection	2-pole 220V SCHUKO plug with 2 m power cord

For detailed installation specifications consult the multiple installation requirements page or each single product installation manual.

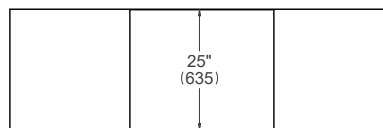
Dimensions in parentheses are millimeters unless otherwise specified.

75 cm (30") Refrigerator Column Panel Installed

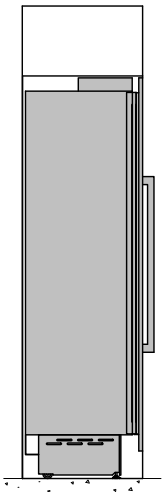
Flush installation



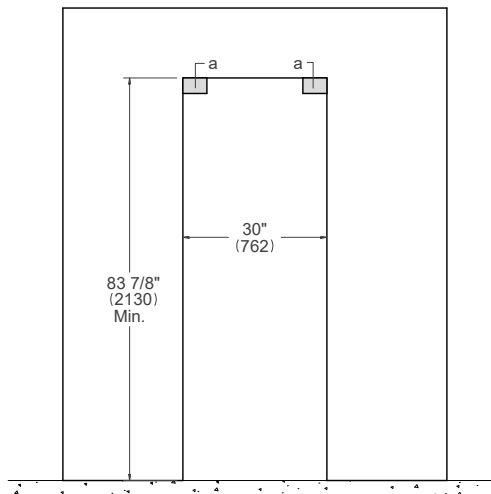
TOP VIEW^b



SIDE VIEW



FRONT VIEW



(a) Area to be left clear for the anti-tipping brackets – 140x100 mm (5 1/2" x 4")

Dimensions in parentheses are millimeters unless otherwise specified.

b: depth includes kitchen cabinet front panel.

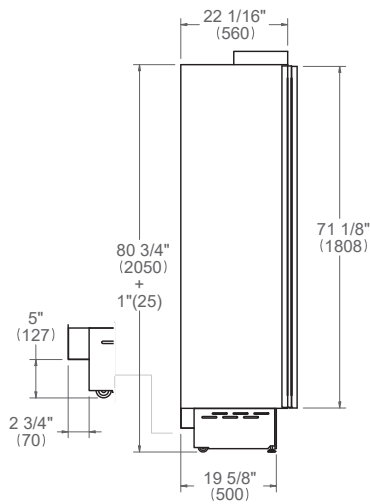
75 cm (30") Refrigerator Column Panel Ready

Dimensions

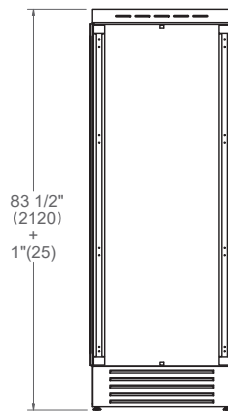


LRD755UBLPTT/24 left hinge
LRD755UBRPTT/24 right hinge

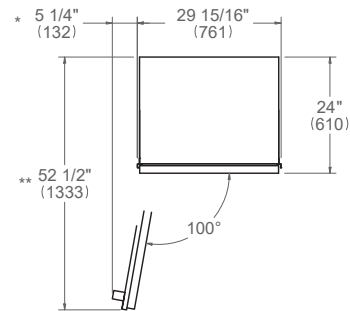
SIDE VIEW



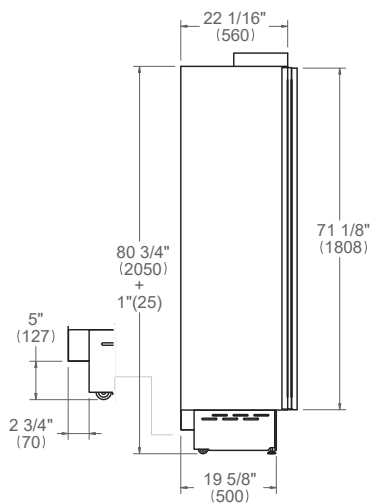
FRONT VIEW



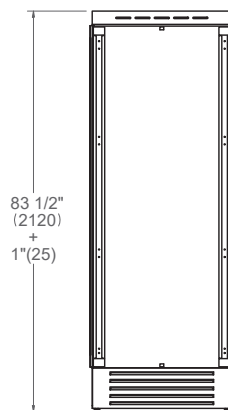
TOP VIEW



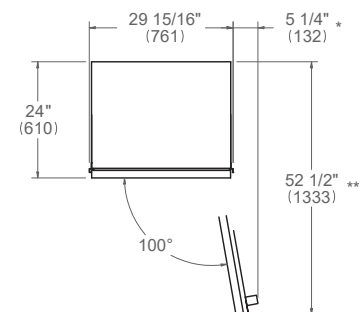
SIDE VIEW



FRONT VIEW



TOP VIEW



* Maximum Overall Handle Dimension
** 19 mm (3/4") Door Panel thickness
For custom panel dimensions see page 72
For detailed handle dimensions see page 74

Dimensions in parentheses are millimeters unless otherwise specified.

A matching Carbonio panel kit is available - SKU # SP30CC.

75 cm (30") Refrigerator Column Panel Ready

Installation requirements



INSTALLATION

All Bertazzoni columns can be installed in a standard 635 mm (25") depth cutout. Finish the edges of the opening because they may be visible when the door is open. For a built-in installation, to cover gaps between the appliance and the adjacent cabinets, special side profiles are factory-installed and covering frames are provided with the product. For panel ready columns, do not exceed the maximum weight of 34 kg (75 pounds) for door panel. Panel can have thickness ranging between 19 mm (3/4") and 28 mm (1 1/8").

For instructions of product combinations please see the Multiple Installation Section (page 59).

CABINET REQUIREMENT

Installation of the appliance must be performed in accordance with the provisions of applicable legislation. Be sure that support of this appliance is perpendicular to the front facing of the wall or cabinet before you perform the installation. The floor must be flat and must be capable of supporting the weight of the appliance when in use.

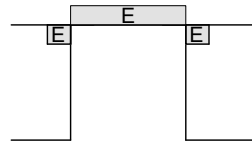
Required floor support	570 kg (1257 lb)
-------------------------------	------------------

For detailed installation specifications consult the multiple installation requirements page or each single product installation manual.

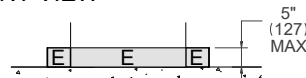
ELECTRICAL REQUIREMENT

The installation must comply with all applicable electrical codes. A properly-grounded horizontally-mounted electrical receptacle should be installed. Place the electrical supply flush with the back wall and within the shaded area shown in the illustrations. Placement within the opening may require additional cabinet depth.

TOP VIEW



FRONT VIEW



A separate circuit breaker servicing only this appliance is recommended.

Electrical supply	220-240 V 50/60 Hz 220 W 1,2 A
Service	10 Amp dedicated circuit
Power Connection	2-pole 220V SCHUKO plug with 2 m power cord

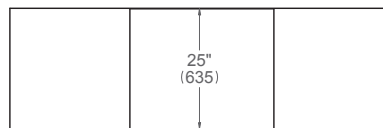
Dimensions in parentheses are millimeters unless otherwise specified.

75 cm (30") Refrigerator Column Panel Ready

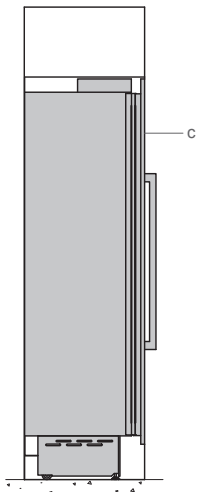
Flush installation



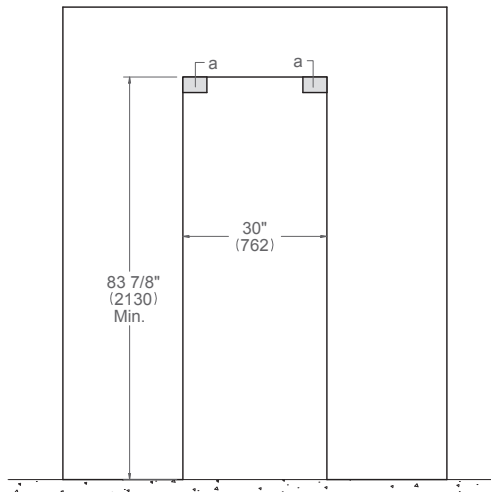
TOP VIEW^b



SIDE VIEW



FRONT VIEW



- (a) Area to be left clear for the anti-tipping brackets – 140x100 mm (5 1/2" x 4")
- (c) Panel dimensions available on Built-in Food Preservation Design Guide or Installation Manual

Dimensions in parentheses are millimeters unless otherwise specified.

b: depth includes kitchen cabinet front panel.

60 cm (24") Refrigerator Column Panel Installed

Dimensions



LRD605UBLXTT/24 left hinge
LRD605UBRXTT/24 right hinge

Handle choices

Professional Series: PROHKCOL

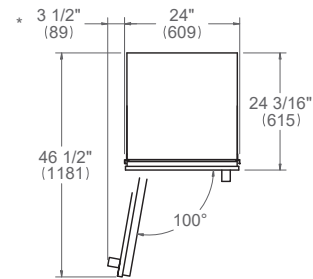
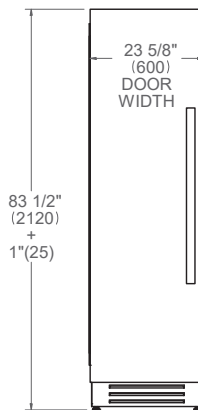
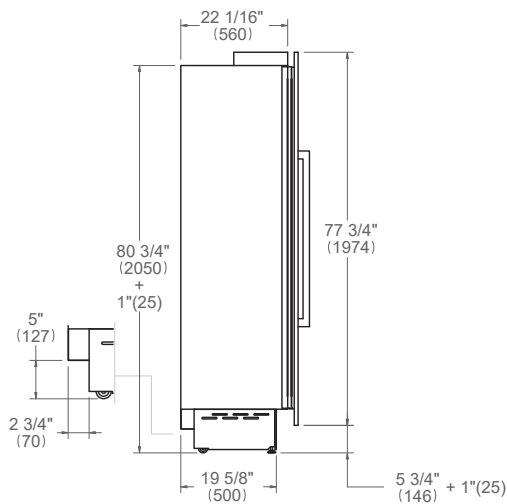
Master series: MASHKCOL

Heritage Series: HERHKCOL

SIDE VIEW

FRONT VIEW

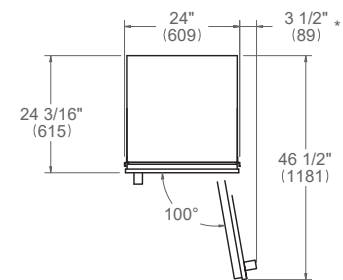
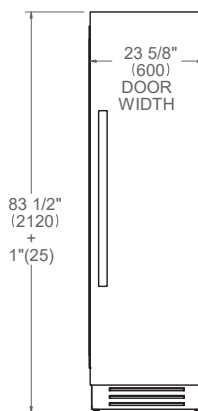
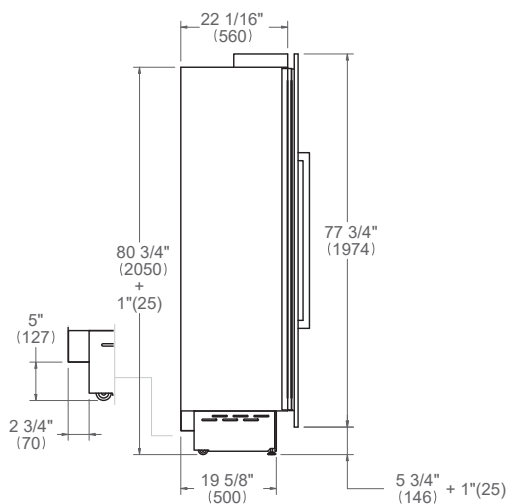
TOP VIEW



SIDE VIEW

FRONT VIEW

TOP VIEW



* Maximum Overall Handle Dimension
For detailed handle dimensions see page 74

Dimensions in parentheses are millimeters unless otherwise specified.

60 cm (24") Refrigerator Column Panel Installed

Installation requirements



INSTALLATION

All Bertazzoni columns can be installed in a standard 635 mm (25") depth cutout.

Finish the edges of the opening because they may be visible when the door is open.

For a built-in installation, to cover gaps between the appliance and the adjacent cabinets, special side profiles are factory-installed and covering frames are provided with the product.

For instructions of product combinations please see the Multiple Installation Section (page 59).

CABINET REQUIREMENT

Installation of the appliance must be performed in accordance with the provisions of applicable legislation.

Be sure that support of this appliance is perpendicular to the front facing of the wall or cabinet before you perform the installation.

The floor must be flat and must be capable of supporting the weight of the appliance when in use.

Required floor support	450 kg (992 lb)
-------------------------------	-----------------

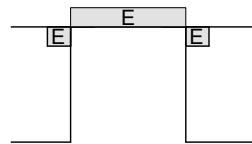
ELECTRICAL REQUIREMENT

The installation must comply with all applicable electrical codes. A properly-grounded horizontally-mounted electrical receptacle should be installed.

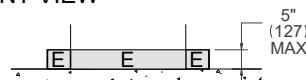
Place the electrical supply flush with the back wall and within the shaded area shown in the illustrations.

Placement within the opening may require additional cabinet depth.

TOP VIEW



FRONT VIEW



A separate circuit breaker servicing only this appliance is recommended.

Electrical supply	220-240 V 50/60 Hz 130 W 0,7 A
Service	10 Amp dedicated circuit
Power Connection	2-pole 220V SCHUKO plug with 2 m power cord

For detailed installation specifications consult the multiple installation requirements page or each single product installation manual.

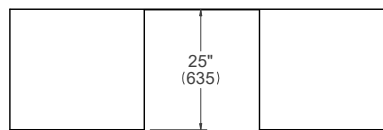
Dimensions in parentheses are millimeters unless otherwise specified.

60 cm (24") Refrigerator Column Panel Installed

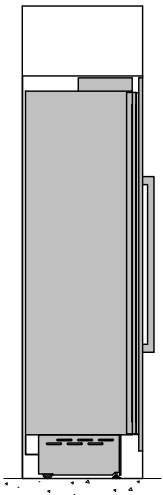
Flush installation



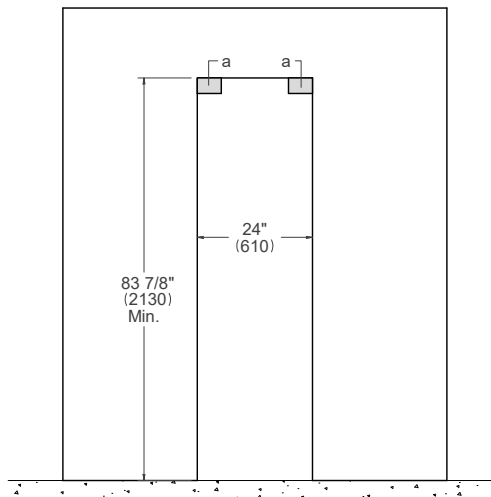
TOP VIEW^b



SIDE VIEW



FRONT VIEW



(a) Area to be left clear for the anti-tipping brackets – 140x100 mm (5 1/2" x 4")

Dimensions in parentheses are millimeters unless otherwise specified.

b: depth includes kitchen cabinet front panel.

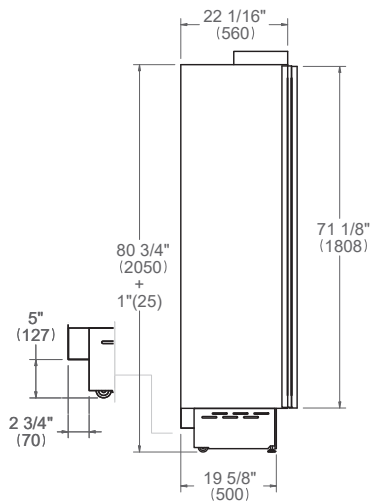
60 cm (24") Refrigerator Column Panel Ready

Dimensions

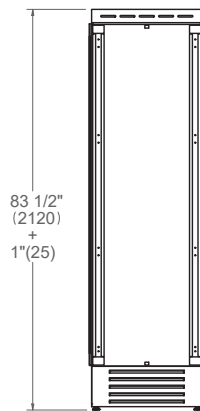


LRD605UBLPTT/24 left hinge
 LRD605UBRPTT/24 right hinge

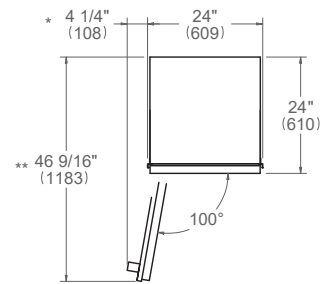
SIDE VIEW



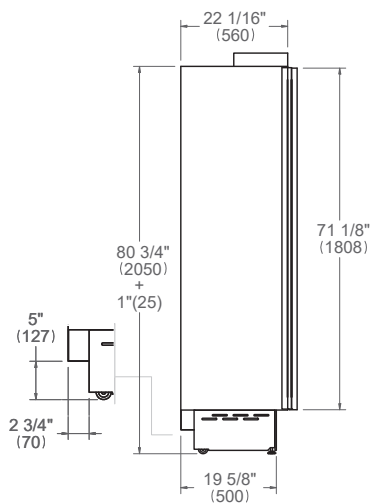
FRONT VIEW



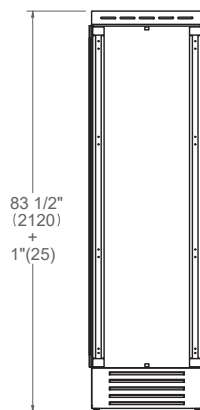
TOP VIEW



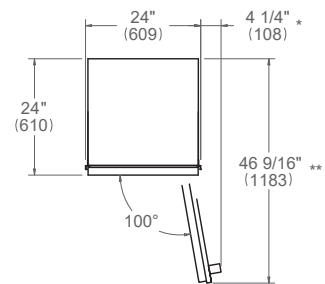
SIDE VIEW



FRONT VIEW



TOP VIEW



* Maximum Overall Handle Dimension
 ** 19 mm (3/4") Door Panel thickness
 For custom panel dimensions see page 72
 For detailed handle dimensions see page 74

Dimensions in parentheses are millimeters unless otherwise specified.

A matching Carbonio panel kit is available - SKU # SP24CC.

60 cm (24") Refrigerator Column Panel Ready

Installation requirements



INSTALLATION

All Bertazzoni columns can be installed in a standard 635 mm (25") depth cutout.

Finish the edges of the opening because they may be visible when the door is open.

For a built-in installation, to cover gaps between the appliance and the adjacent cabinets, special side profiles are factory-installed and covering frames are provided with the product.

For panel ready columns, do not exceed the maximum weight of 34 kg (75 pounds) for door panel. Panel can have thickness ranging between 19 mm (3/4") and 28 mm (1 1/8").

For instructions of product combinations please see the Multiple Installation Section (page 59).

CABINET REQUIREMENT

Installation of the appliance must be performed in accordance with the provisions of applicable legislation.

Be sure that support of this appliance is perpendicular to the front facing of the wall or cabinet before you perform the installation.

The floor must be flat and must be capable of supporting the weight of the appliance when in use.

Required floor support	450 kg (992 lb)
-------------------------------	-----------------

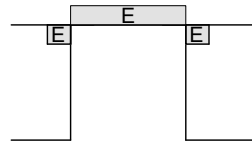
ELECTRICAL REQUIREMENT

The installation must comply with all applicable electrical codes. A properly-grounded horizontally-mounted electrical receptacle should be installed.

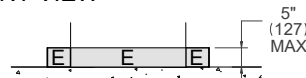
Place the electrical supply flush with the back wall and within the shaded area shown in the illustrations.

Placement within the opening may require additional cabinet depth.

TOP VIEW



FRONT VIEW



A separate circuit breaker servicing only this appliance is recommended.

Electrical supply	220-240 V 50/60 Hz 130 W 0,7 A
Service	10 Amp dedicated circuit
Power Connection	2-pole 220V SCHUKO plug with 2 m power cord

For detailed installation specifications consult the multiple installation requirements page or each single product installation manual.

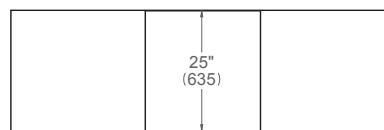
Dimensions in parentheses are millimeters unless otherwise specified.

60 cm (24") Refrigerator Column Panel Ready

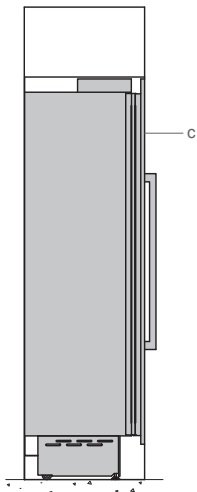
Flush installation



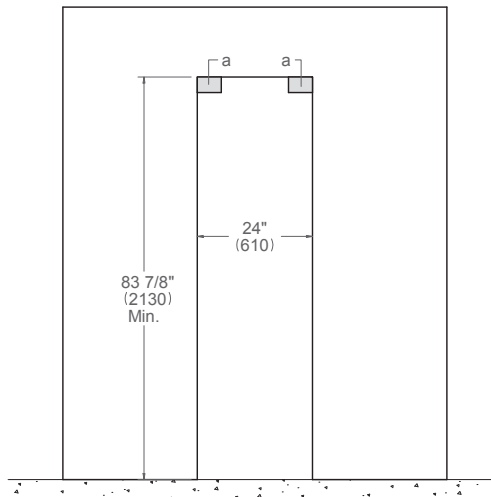
TOP VIEW ^b



SIDE VIEW



FRONT VIEW



- (a) Area to be left clear for the anti-tipping brackets – 140x100 mm (5 1/2" x 4")
- (c) Panel dimensions available on Built-in Food Preservation Design Guide or Installation Manual

Dimensions in parentheses are millimeters unless otherwise specified.

b: depth includes kitchen cabinet front panel.

BUILT-IN FREEZER COLUMNS



75 cm - 60 cm - 45 cm
(30" - 24" - 18")
Panel Ready and
Panel Installed





75 cm (30") Freezer Column Panel Installed

Dimensions



FRZ755UBLXTT/24 left hinge
FRZ755UBRXTT/24 right hinge

Handle choices

Professional Series: PROHKCOL

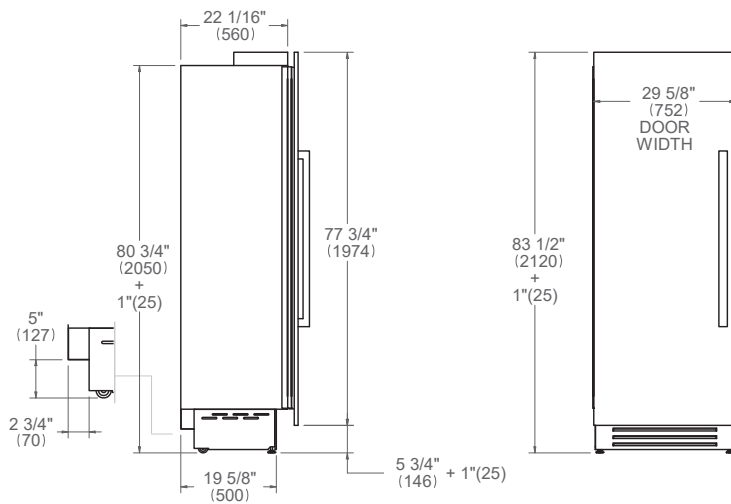
Master series: MASHKCOL

Heritage Series: HERHKCOL

SIDE VIEW

FRONT VIEW

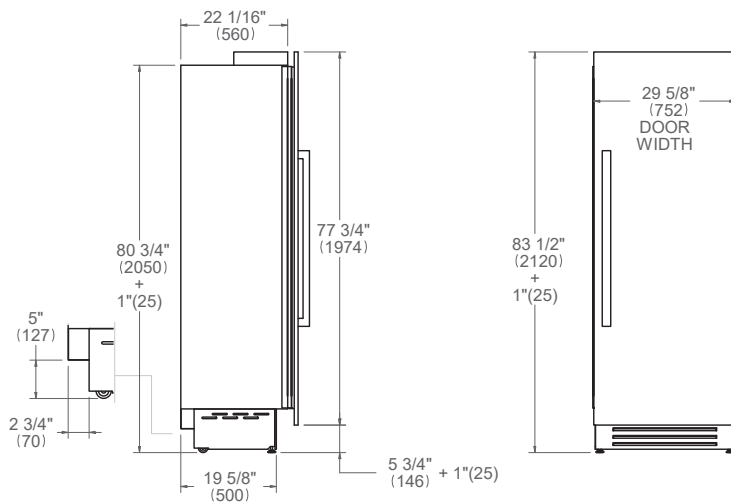
TOP VIEW



SIDE VIEW

FRONT VIEW

TOP VIEW



* Maximum Overall Handle Dimension
For detailed handle dimensions see page 74

Dimensions in parentheses are millimeters unless otherwise specified.

75 cm (30") Freezer Column Panel Installed

Installation requirements



INSTALLATION

All Bertazzoni columns can be installed in a standard 635 mm (25") depth cutout.

Finish the edges of the opening because they may be visible when the door is open.

For a built-in installation, to cover gaps between the appliance and the adjacent cabinets, special side profiles are factory-installed and covering frames are provided with the product.

For instructions of product combinations please see the Multiple Installation Section (page 59).

CABINET REQUIREMENT

Installation of the appliance must be performed in accordance with the provisions of applicable legislation.

Be sure that support of this appliance is perpendicular to the front facing of the wall or cabinet before you perform the installation.

The floor must be flat and must be capable of supporting the weight of the appliance when in use.

Required floor support	570 kg (1257 lb)
-------------------------------	------------------

ELECTRICAL REQUIREMENT

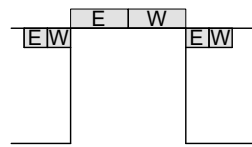
The installation must comply with all applicable electrical codes. A properly-grounded horizontally-mounted electrical receptacle should be installed.

Place the electrical supply flush with the back wall and within the shaded area shown in the illustrations.

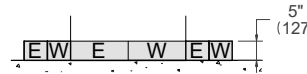
Placement within the opening may require additional cabinet depth.

For detailed installation specifications consult the multiple installation requirements page or each single product installation manual.

TOP VIEW



FRONT VIEW



A separate circuit breaker servicing only this appliance is recommended.

Electrical supply	220-240 V 50/60 Hz 275 W 2 A
Service	10 Amp dedicated circuit
Power Connection	2-pole 220V SCHUKO plug with 2 m power cord

PLUMBING REQUIREMENTS

Bertazzoni Freezer Columns are provided with a water filter assembly which must be mounted outside the unit. The appliance must be connected only to a potable water supply system.

To connect to water supply system (for appliances equipped with ice maker) a 6,4 mm (1/4") waterline with accessible shut-off valve must be supplied.

The solenoid connection on the appliance is 19 mm (3/4") diameter but is metric threaded (NPT).

The system pressure must be between from 0.5 bar and 5 bar (between 8 PSI to 75 PSI). Different pressures can cause malfunctions or leaks in the water system.

For information on how to purchase the water filter, please see Use and Maintenance Manual.

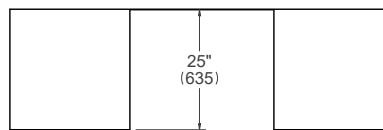
Dimensions in parentheses are millimeters unless otherwise specified.

75 cm (30") Freezer Column Panel Installed

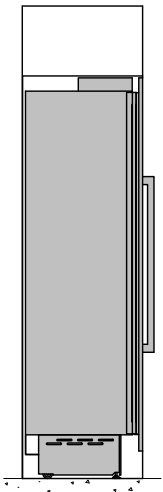
Flush installation



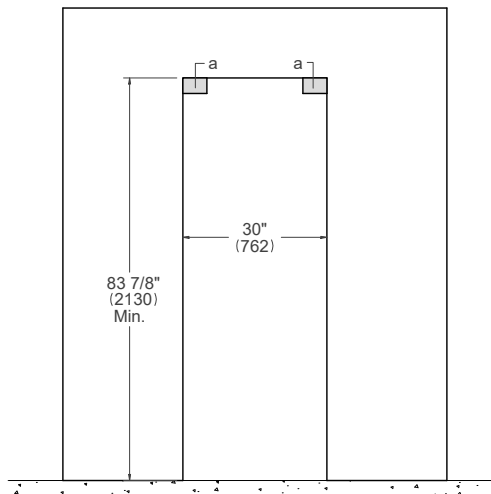
TOP VIEW^b



SIDE VIEW



FRONT VIEW



(a) Area to be left clear for the anti-tipping brackets – 140x100 mm (5 1/2" x 4")

Dimensions in parentheses are millimeters unless otherwise specified.

b: depth includes kitchen cabinet front panel.

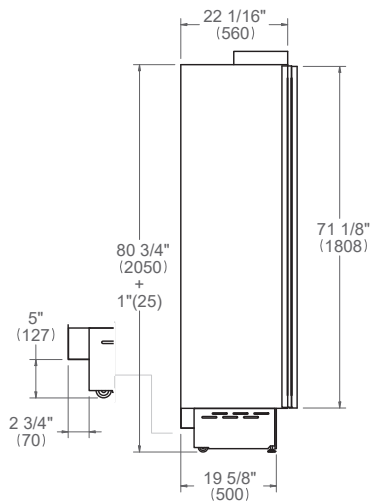
75 cm (30") Freezer Column Panel Ready

Dimensions

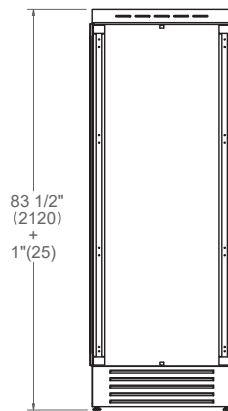


FRZ755UBLPTT/24 left hinge
FRZ755UBRPTT/24 right hinge

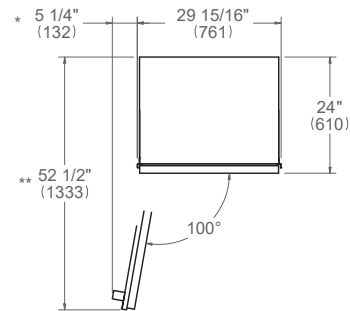
SIDE VIEW



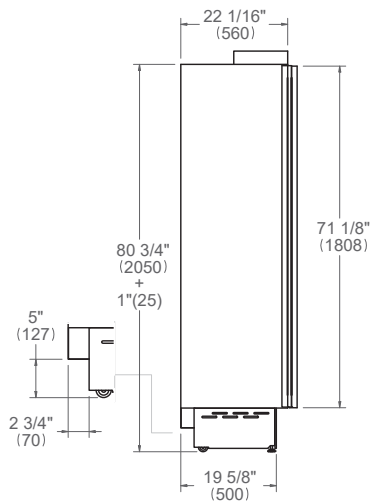
FRONT VIEW



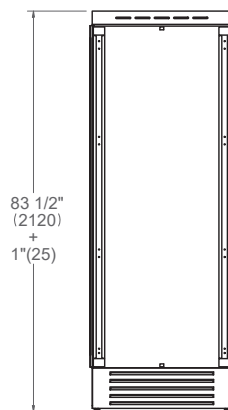
TOP VIEW



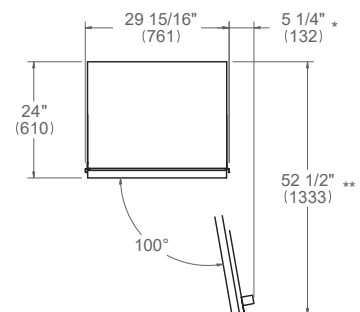
SIDE VIEW



FRONT VIEW



TOP VIEW



* Maximum Overall Handle Dimension
** 19 mm (3/4") Door Panel thickness
For custom panel dimensions see page 72
For detailed handle dimensions see page 74

Dimensions in parentheses are millimeters unless otherwise specified.

A matching Carbonio panel kit is available - SKU # SP30CC.

75 cm (30") Freezer Column Panel Ready

Installation requirements



INSTALLATION

All Bertazzoni columns can be installed in a standard 635 mm (25") depth cutout.

Finish the edges of the opening because they may be visible when the door is open.

For a built-in installation, to cover gaps between the appliance and the adjacent cabinets, special side profiles are factory-installed and covering frames are provided with the product.

For panel ready columns, do not exceed the maximum weight of 34 kg (75 pounds) for door panel. Panel can have thickness ranging between 19 mm (3/4") and 28 mm (1 1/8").

For instructions of product combinations please see the Multiple Installation Section (page 59).

CABINET REQUIREMENT

Installation of the appliance must be performed in accordance with the provisions of applicable legislation.

Be sure that support of this appliance is perpendicular to the front facing of the wall or cabinet before you perform the installation.

The floor must be flat and must be capable of supporting the weight of the appliance when in use.

Required floor support	570 kg (1257 lb)
-------------------------------	------------------

ELECTRICAL REQUIREMENT

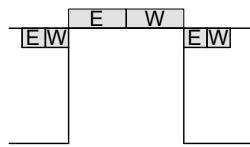
The installation must comply with all applicable electrical codes. A properly-grounded horizontally-mounted electrical receptacle should be installed.

Place the electrical supply flush with the back wall and within the shaded area shown in the illustrations.

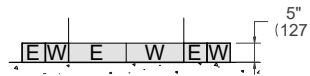
Placement within the opening may require additional cabinet depth.

For detailed installation specifications consult the multiple installation requirements page or each single product installation manual.

TOP VIEW



FRONT VIEW



A separate circuit breaker servicing only this appliance is recommended.

Electrical supply	220-240 V 50/60 Hz 275 W 2 A
Service	10 Amp dedicated circuit
Power Connection	2-pole 220V SCHUKO plug with 2 m power cord

PLUMBING REQUIREMENTS

Bertazzoni Freezer Columns are provided with a water filter assembly which must be mounted outside the unit.

The appliance must be connected only to a potable water supply system.

To connect to water supply system (for appliances equipped with ice maker) a 6,4 mm (1/4") waterline with accessible shut-off valve must be supplied.

The solenoid connection on the appliance is 19 mm (3/4") diameter but is metric threaded (NPT).

The system pressure must be between 0.5 bar and 5 bar (from 8 PSI to 75 PSI). Different pressures can cause malfunctions or leaks in the water system.

For information on how to purchase the water filter, please see Use and Maintenance Manual.

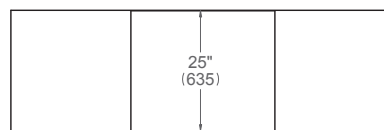
Dimensions in parentheses are millimeters unless otherwise specified.

75 cm (30") Freezer Column Panel Ready

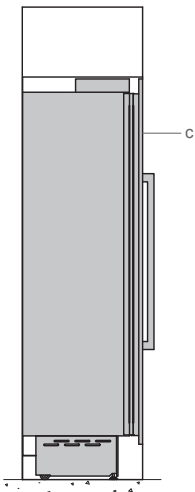
Flush installation



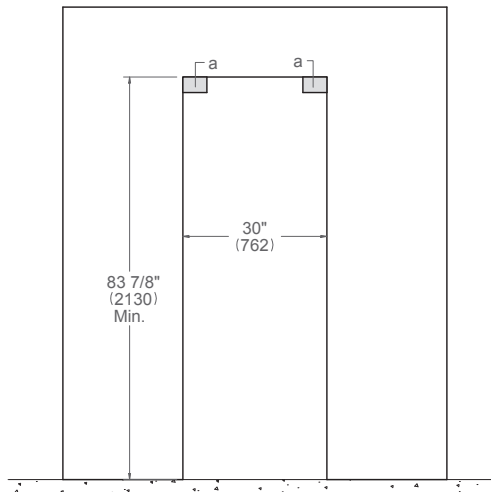
TOP VIEW^b



SIDE VIEW



FRONT VIEW



- (a) Area to be left clear for the anti-tipping brackets – 140x100 mm (5 1/2" x 4")
- (c) Panel dimensions available on Built-in Food Preservation Design Guide or Installation Manual

Dimensions in parentheses are millimeters unless otherwise specified.

b: depth includes kitchen cabinet front panel.

60 cm (24") Freezer Column Panel Installed

Dimensions



FRZ605UBLXTT/24 left hinge
FRZ605UBRXTT/24 right hinge

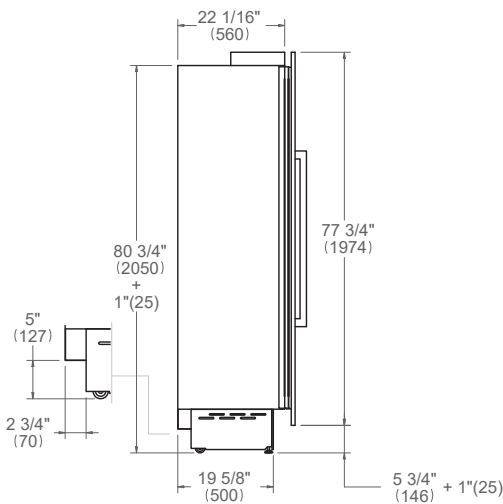
Handle choices

Professional Series: PROHKCOL

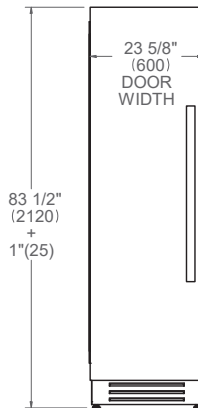
Master series: MASHKCOL

Heritage Series: HERHKCOL

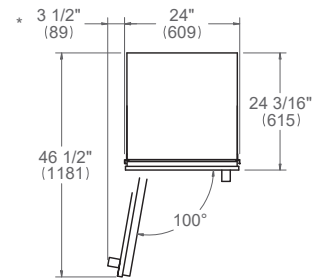
SIDE VIEW



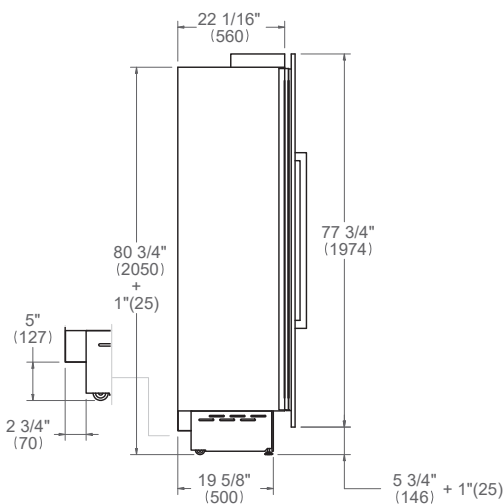
FRONT VIEW



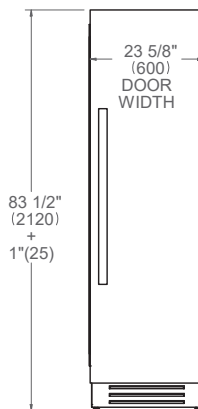
TOP VIEW



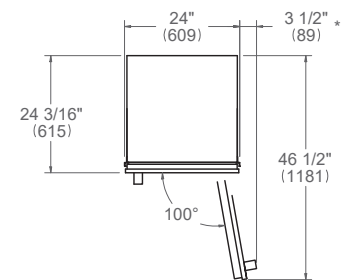
SIDE VIEW



FRONT VIEW



TOP VIEW



* Maximum Overall Handle Dimension
For detailed handle dimensions see page 74

Dimensions in parentheses are millimeters unless otherwise specified.

60 cm (24") Freezer Column Panel Installed

Installation requirements



INSTALLATION

All Bertazzoni columns can be installed in a standard 635 mm (25") depth cutout.

Finish the edges of the opening because they may be visible when the door is open.

For a built-in installation, to cover gaps between the appliance and the adjacent cabinets, special side profiles are factory-installed and covering frames are provided with the product.

For instructions of product combinations please see the Multiple Installation Section (page 59).

CABINET REQUIREMENT

Installation of the appliance must be performed in accordance with the provisions of applicable legislation.

Be sure that support of this appliance is perpendicular to the front facing of the wall or cabinet before you perform the installation.

The floor must be flat and must be capable of supporting the weight of the appliance when in use.

Required floor support	450 kg (992 lb)
-------------------------------	-----------------

ELECTRICAL REQUIREMENT

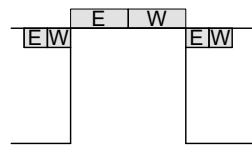
The installation must comply with all applicable electrical codes. A properly-grounded horizontally-mounted electrical receptacle should be installed.

Place the electrical supply flush with the back wall and within the shaded area shown in the illustrations.

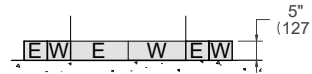
Placement within the opening may require additional cabinet depth.

For detailed installation specifications consult the multiple installation requirements page or each single product installation manual.

TOP VIEW



FRONT VIEW



A separate circuit breaker servicing only this appliance is recommended.

Electrical supply	220-240 V 50/60 Hz 275 W 2 A
Service	10 Amp dedicated circuit
Power Connection	2-pole 220V SCHUKO plug with 2 m power cord

PLUMBING REQUIREMENTS

Bertazzoni Freezer Columns are provided with a water filter assembly which must be mounted outside the unit.

The appliance must be connected only to a potable water supply system.

To connect to water supply system (for appliances equipped with ice maker) a 6,4 mm (1/4") waterline with accessible shut-off valve must be supplied.

The solenoid connection on the appliance is 19 mm (3/4") diameter but is metric threaded (NPT).

The system pressure must be between from 0.5 bar and 5 bar (between 8 PSI to 75 PSI). Different pressures can cause malfunctions or leaks in the water system.

For information on how to purchase the water filter, please see Use and Maintenance Manual.

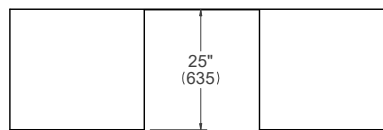
Dimensions in parentheses are millimeters unless otherwise specified.

60 cm (24") Freezer Column Panel Installed

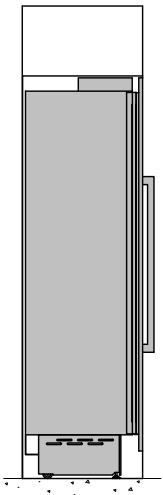
Flush installation



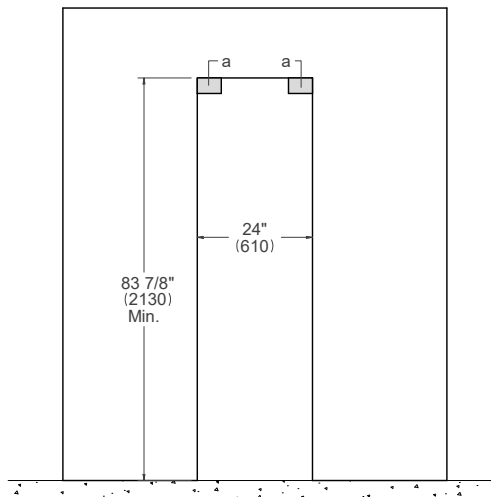
TOP VIEW^b



SIDE VIEW



FRONT VIEW



(a) Area to be left clear for the anti-tipping brackets – 140x100 mm (5 1/2" x 4")

Dimensions in parentheses are millimeters unless otherwise specified.

b: depth includes kitchen cabinet front panel.

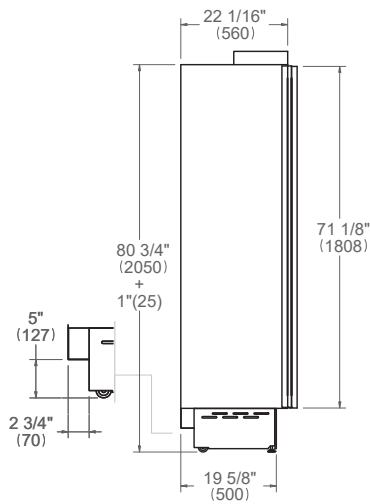
60 cm (24") Freezer Column Panel Ready

Dimensions

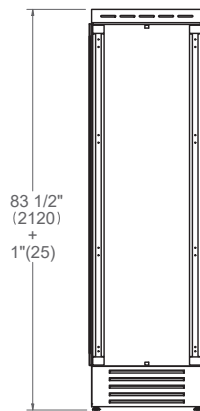


FRZ605UBLPTT/24 left hinge
FRZ605UBRPTT/24 right hinge

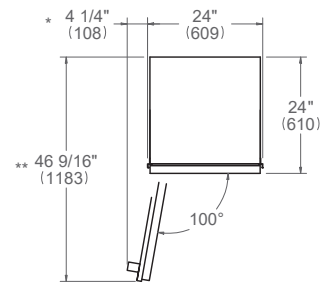
SIDE VIEW



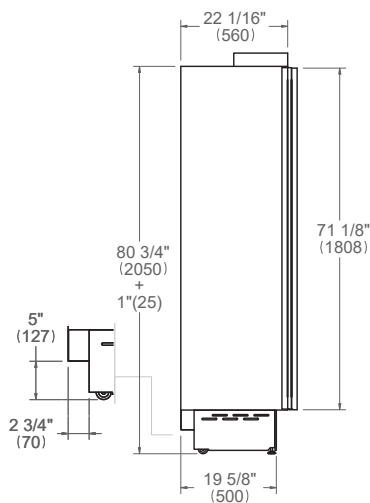
FRONT VIEW



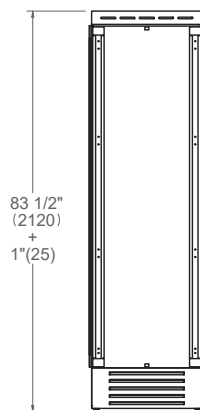
TOP VIEW



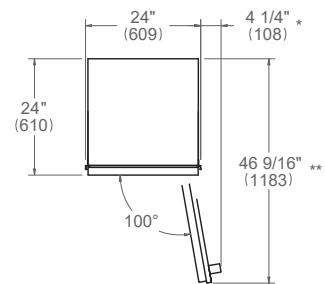
SIDE VIEW



FRONT VIEW



TOP VIEW



* Maximum Overall Handle Dimension
** 19 mm (3/4") Door Panel thickness
For custom panel dimensions see page 72
For detailed handle dimensions see page 74

Dimensions in parentheses are millimeters unless otherwise specified.

A matching Carbonio panel kit is available - SKU # SP24CC.

60 cm (24") Freezer Column Panel Ready

Installation requirements



INSTALLATION

All Bertazzoni columns can be installed in a standard 635 mm (25") depth cutout.

Finish the edges of the opening because they may be visible when the door is open.

For a built-in installation, to cover gaps between the appliance and the adjacent cabinets, special side profiles are factory-installed and covering frames are provided with the product.

For panel ready columns, do not exceed the maximum weight of 34 kg (75 pounds) for door panel. Panel can have thickness ranging between 19 mm (3/4") and 28 mm (1 1/8").

For instructions of product combinations please see the Multiple Installation Section (page 59).

CABINET REQUIREMENT

Installation of the appliance must be performed in accordance with the provisions of applicable legislation.

Be sure that support of this appliance is perpendicular to the front facing of the wall or cabinet before you perform the installation.

The floor must be flat and must be capable of supporting the weight of the appliance when in use.

Required floor support	450 kg (992 lb)
-------------------------------	-----------------

ELECTRICAL REQUIREMENT

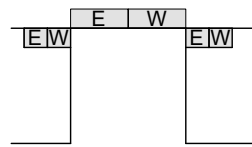
The installation must comply with all applicable electrical codes. A properly-grounded horizontally-mounted electrical receptacle should be installed.

Place the electrical supply flush with the back wall and within the shaded area shown in the illustrations.

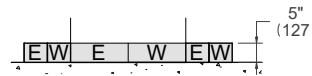
Placement within the opening may require additional cabinet depth.

For detailed installation specifications consult the multiple installation requirements page or each single product installation manual.

TOP VIEW



FRONT VIEW



A separate circuit breaker servicing only this appliance is recommended.

Electrical supply	220-240 V 50/60 Hz 275 W 2 A
Service	10 Amp dedicated circuit
Power Connection	2-pole 220V SCHUKO plug with 2 m power cord

PLUMBING REQUIREMENTS

Bertazzoni Freezer Columns are provided with a water filter assembly which must be mounted outside the unit.

The appliance must be connected only to a potable water supply system.

To connect to water supply system (for appliances equipped with ice maker) a 6,4 mm (1/4") waterline with accessible shut-off valve must be supplied.

The solenoid connection on the appliance is 19 mm (3/4") diameter but is metric threaded (NPT).

The system pressure must be between 0.5 bar and 5 bar (from 8 PSI to 75 PSI). Different pressures can cause malfunctions or leaks in the water system.

For information on how to purchase the water filter, please see Use and Maintenance Manual.

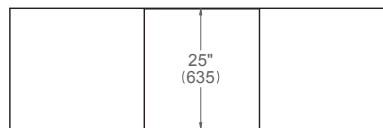
Dimensions in parentheses are millimeters unless otherwise specified.

60 cm (24") Freezer Column Panel Ready

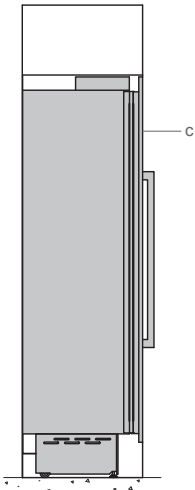
Flush installation



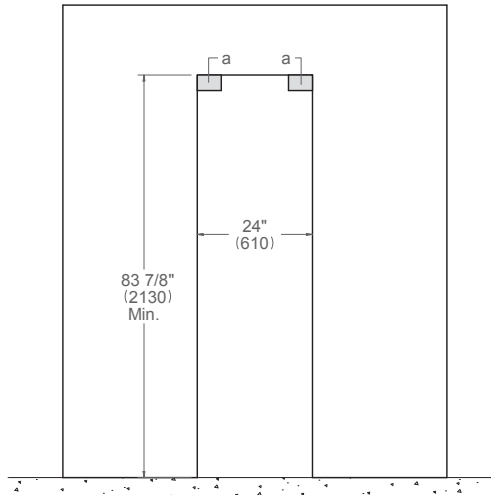
TOP VIEW^b



SIDE VIEW



FRONT VIEW



- (a) Area to be left clear for the anti-tipping brackets – 140x100 mm (5 1/2" x 4")
- (c) Panel dimensions available on Built-in Food Preservation Design Guide or Installation Manual

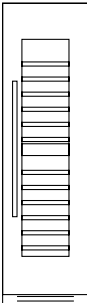
Dimensions in parentheses are millimeters unless otherwise specified.

b: depth includes kitchen cabinet front panel.

BUILT-IN WINE COLUMNS



60 cm - 45 cm
(24" - 18")
Panel Ready and
Panel Installed





FUNZIONI
+ 54 °F
IMPOSTAZIONI
+ 46 °F

60 cm (24") Wine Column Panel Installed

Dimensions



WC605BLX2T left hinge
WC605BRX2T right hinge

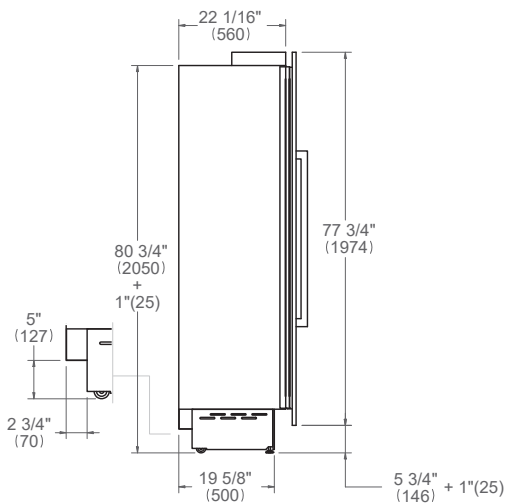
Handle choices

Professional Series: PROHKCOL

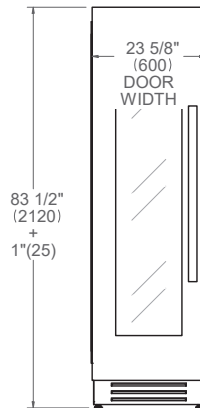
Master series: MASHKCOL

Heritage Series: HERHKCOL

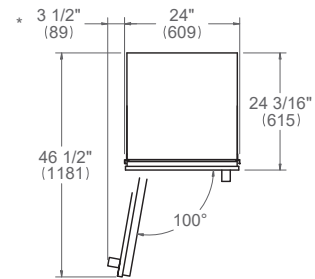
SIDE VIEW



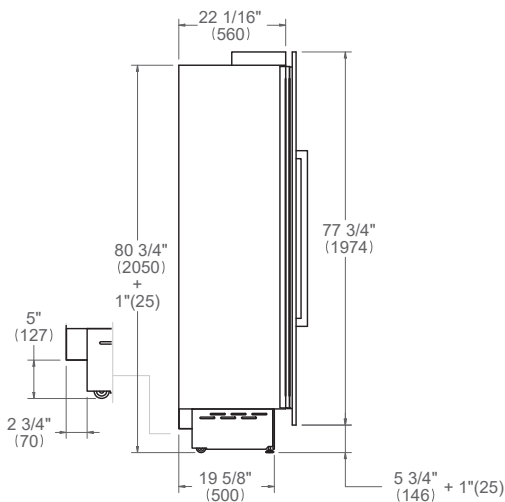
FRONT VIEW



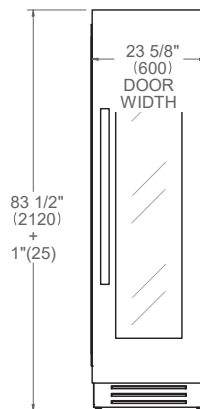
TOP VIEW



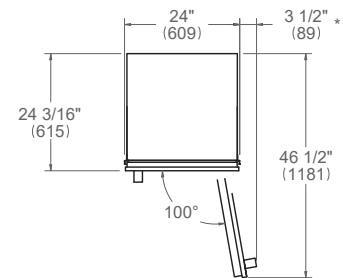
SIDE VIEW



FRONT VIEW



TOP VIEW



* Maximum Overall Handle Dimension
For detailed handle dimensions see page 74

Dimensions in parentheses are millimeters unless otherwise specified.

60 cm (24") Wine Column Panel Installed

Installation requirements



INSTALLATION

All Bertazzoni columns can be installed in a standard 635 mm (25") depth cutout.
 Finish the edges of the opening because they may be visible when the door is open.
 For a built-in installation, to cover gaps between the appliance and the adjacent cabinets, special side profiles are factory-installed and covering frames are provided with the product.

For instructions of product combinations please see the Multiple Installation Section (page 59).

CABINET REQUIREMENT

Installation of the appliance must be performed in accordance with the provisions of applicable legislation.
 Be sure that support of this appliance is perpendicular to the front facing of the wall or cabinet before you perform the installation.
 The floor must be flat and must be capable of supporting the weight of the appliance when in use.

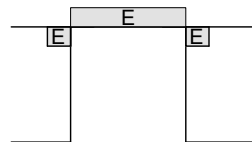
Required floor support	450 kg (992 lb)
-------------------------------	-----------------

For detailed installation specifications consult the multiple installation requirements page or each single product installation manual.

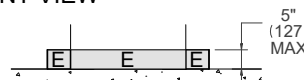
ELECTRICAL REQUIREMENT

The installation must comply with all applicable electrical codes. A properly-grounded horizontally-mounted electrical receptacle should be installed.
 Place the electrical supply flush with the back wall and within the shaded area shown in the illustrations.
 Placement within the opening may require additional cabinet depth.

TOP VIEW



FRONT VIEW



A separate circuit breaker servicing only this appliance is recommended.

Electrical supply	220-240 V 50/60 Hz 130 W 0,7 A
Service	10 Amp dedicated circuit
Power Connection	2-pole 220V SCHUKO plug with 2 m power cord

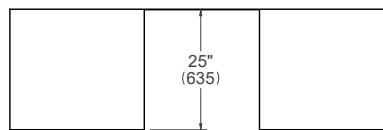
Dimensions in parentheses are millimeters unless otherwise specified.

60 cm (24") Wine Column Panel Installed

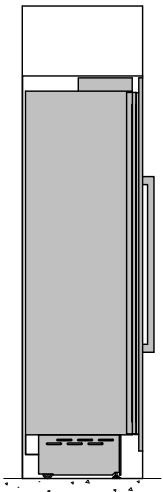
Flush installation



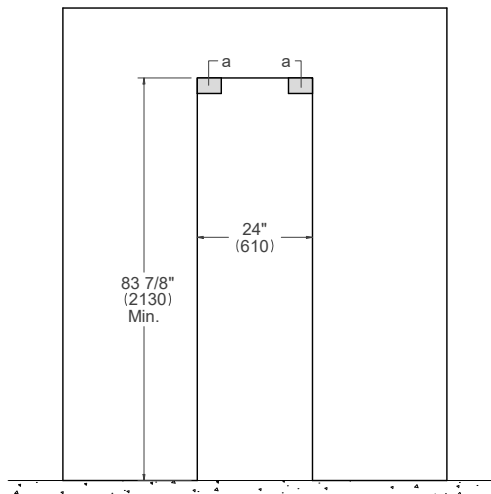
TOP VIEW^b



SIDE VIEW



FRONT VIEW



(a) Area to be left clear for the anti-tipping brackets – 140x100 mm (5 1/2" x 4")

Dimensions in parentheses are millimeters unless otherwise specified.

b: depth includes kitchen cabinet front panel.

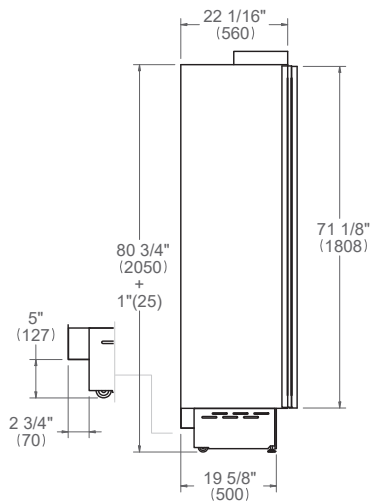
60 cm (24") Wine Column Panel Ready

Dimensions

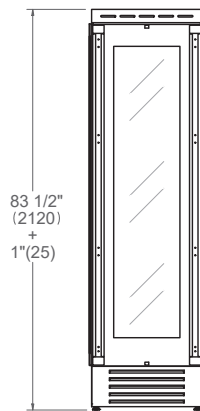


WC605BLP2T left hinge
WC605BRP2T right hinge

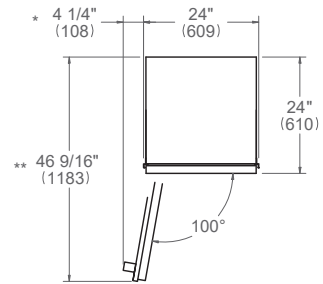
SIDE VIEW



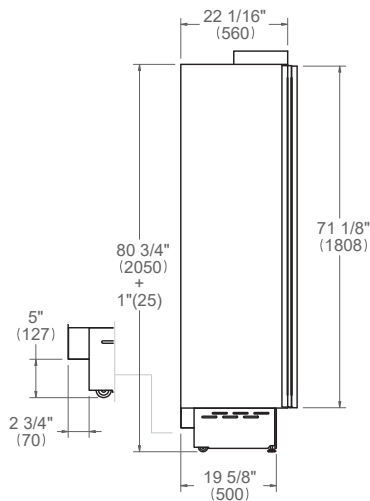
FRONT VIEW



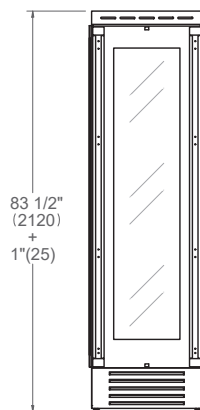
TOP VIEW



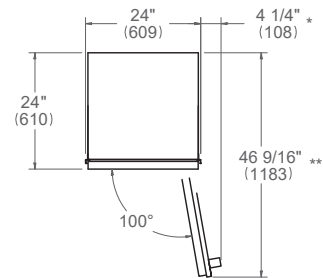
SIDE VIEW



FRONT VIEW



TOP VIEW



* Maximum Overall Handle Dimension
** 19 mm (3/4") Door Panel thickness
For custom panel dimensions see page 72
For detailed handle dimensions see page 74

Dimensions in parentheses are millimeters unless otherwise specified.
For custom panel dimensions and window cutout see page 69.
A matching Carbonio panel kit is available - SKU # SP24WCC.

60 cm (24") Wine Column Panel Ready

Installation requirements



INSTALLATION

All Bertazzoni columns can be installed in a standard 635 mm (25") depth cutout. Finish the edges of the opening because they may be visible when the door is open. For a built-in installation, to cover gaps between the appliance and the adjacent cabinets, special side profiles are factory-installed and covering frames are provided with the product. For panel ready columns, do not exceed the maximum weight of 34 kg (75 pounds) for door panel. Panel can have thickness ranging between 19 mm (3/4") and 28 mm (1 1/8").

For instructions of product combinations please see the Multiple Installation Section (page 59).

CABINET REQUIREMENT

Installation of the appliance must be performed in accordance with the provisions of applicable legislation. Be sure that support of this appliance is perpendicular to the front facing of the wall or cabinet before you perform the installation. The floor must be flat and must be capable of supporting the weight of the appliance when in use.

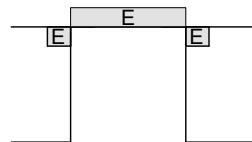
Required floor support	450 kg (992 lb)
-------------------------------	-----------------

For detailed installation specifications consult the multiple installation requirements page or each single product installation manual.

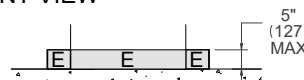
ELECTRICAL REQUIREMENT

The installation must comply with all applicable electrical codes. A properly-grounded horizontally-mounted electrical receptacle should be installed. Place the electrical supply flush with the back wall and within the shaded area shown in the illustrations. Placement within the opening may require additional cabinet depth.

TOP VIEW



FRONT VIEW



A separate circuit breaker servicing only this appliance is recommended.

Electrical supply	220-240 V 50/60 Hz 130 W 0,7 A
Service	10 Amp dedicated circuit
Power Connection	2-pole 220V SCHUKO plug with 2 m power cord

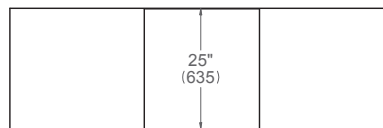
Dimensions in parentheses are millimeters unless otherwise specified.

60 cm (24") Wine Column Panel Ready

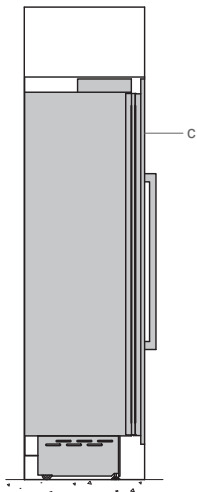
Flush installation



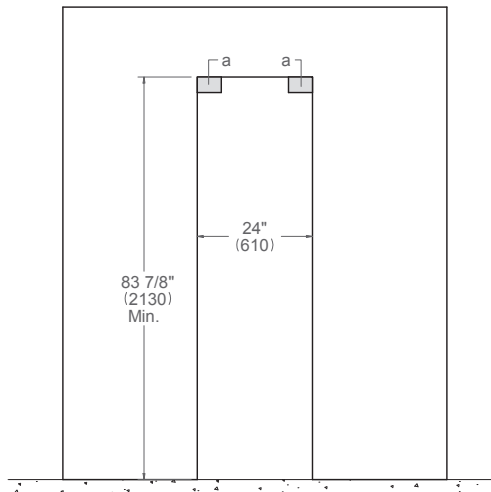
TOP VIEW^b



SIDE VIEW



FRONT VIEW



- (a) Area to be left clear for the anti-tipping brackets – 140x100 mm (5 1/2" x 4")
- (c) Panel dimensions available on Built-in Food Preservation Design Guide or Installation Manual

Dimensions in parentheses are millimeters unless otherwise specified.

b: depth includes kitchen cabinet front panel.

45 cm (18") Wine Column Panel Installed

Dimensions



WC455BLX2T left hinge
WC455BRX2T right hinge

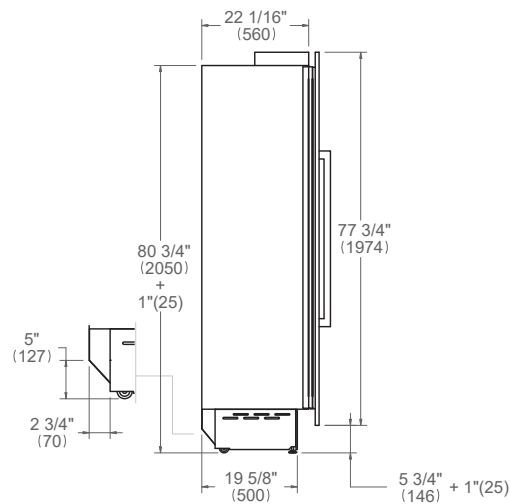
Handle choices

Professional Series: PROHKCOL

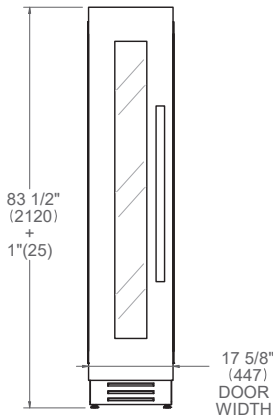
Master series: MASHKCOL

Heritage Series: HERHKCOL

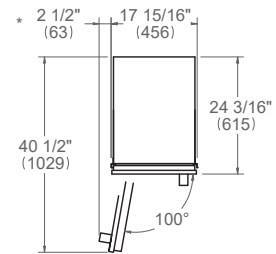
SIDE VIEW



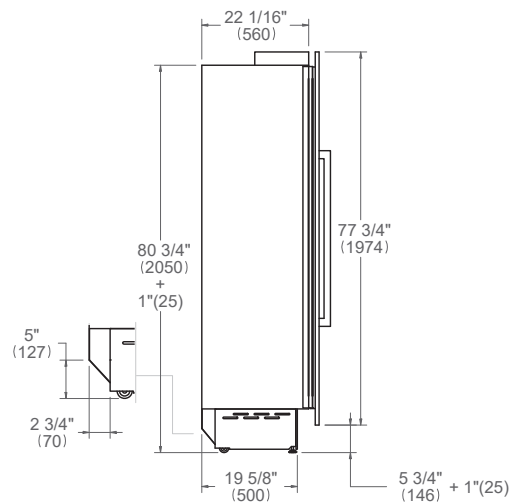
FRONT VIEW



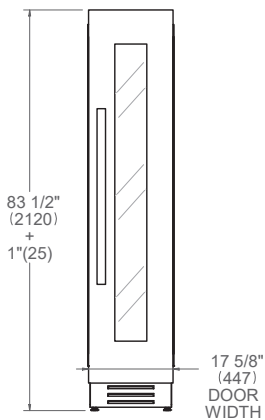
TOP VIEW



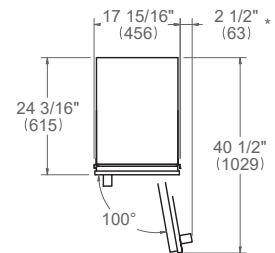
SIDE VIEW



FRONT VIEW



TOP VIEW



* Maximum Overall Handle Dimension
For detailed handle dimensions see page 74

Dimensions in parentheses are millimeters unless otherwise specified.

45 cm (18") Wine Column Panel Installed

Installation requirements



INSTALLATION

All Bertazzoni columns can be installed in a standard 635 mm (25") depth cutout.

Finish the edges of the opening because they may be visible when the door is open.

For a built-in installation, to cover gaps between the appliance and the adjacent cabinets, special side profiles are factory-installed and covering frames are provided with the product.

For instructions of product combinations please see the Multiple Installation Section (page 59).

CABINET REQUIREMENT

Installation of the appliance must be performed in accordance with the provisions of applicable legislation.

Be sure that support of this appliance is perpendicular to the front facing of the wall or cabinet before you perform the installation.

The floor must be flat and must be capable of supporting the weight of the appliance when in use.

Required floor support	315 kg (694 lb)
-------------------------------	-----------------

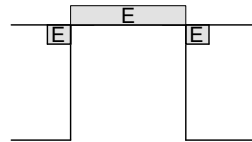
ELECTRICAL REQUIREMENT

The installation must comply with all applicable electrical codes. A properly-grounded horizontally-mounted electrical receptacle should be installed.

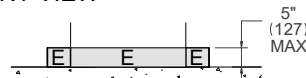
Place the electrical supply flush with the back wall and within the shaded area shown in the illustrations.

Placement within the opening may require additional cabinet depth.

TOP VIEW



FRONT VIEW



A separate circuit breaker servicing only this appliance is recommended.

Electrical supply	220-240 V 50/60 Hz 130 W 0,7 A
Service	10 Amp dedicated circuit
Power Connection	2-pole 220V SCHUKO plug with 2 m power cord

For detailed installation specifications consult the multiple installation requirements page or each single product installation manual.

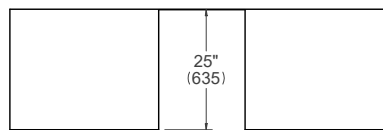
Dimensions in parentheses are millimeters unless otherwise specified.

45 cm (18") Wine Column Panel Installed

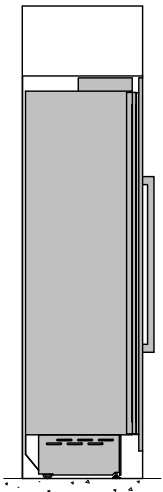
Flush installation



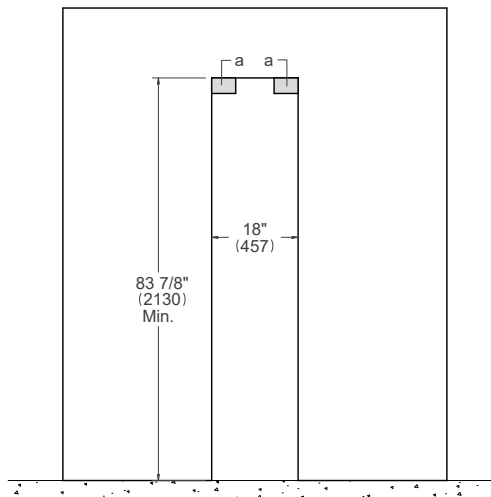
TOP VIEW^b



SIDE VIEW



FRONT VIEW



(a) Area to be left clear for the anti-tipping brackets – 140x100 mm (5 1/2" x 4")

Dimensions in parentheses are millimeters unless otherwise specified.

b: depth includes kitchen cabinet front panel.

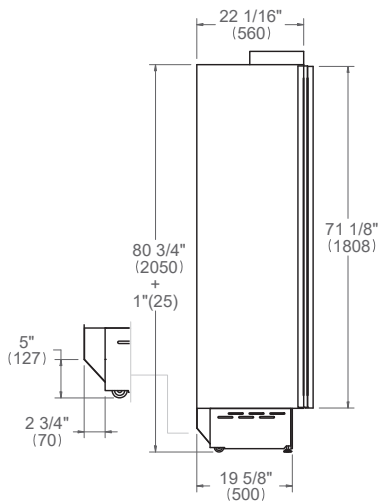
45 cm (18") Wine Column Panel Ready

Dimensions

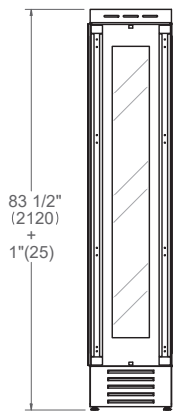


WC455BLP2T left hinge
WC455BRP2T right hinge

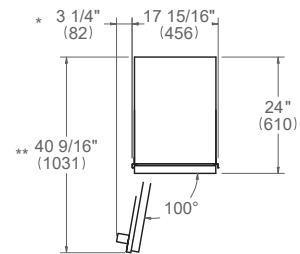
SIDE VIEW



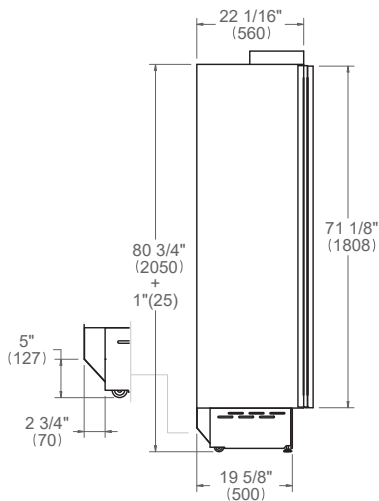
FRONT VIEW



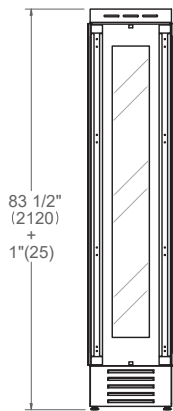
TOP VIEW



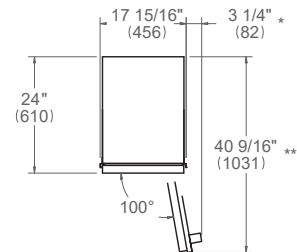
SIDE VIEW



FRONT VIEW



TOP VIEW



* Maximum Overall Handle Dimension
** 19 mm (3/4") Door Panel thickness
For custom panel dimensions see page 72
For detailed handle dimensions see page 74

Dimensions in parentheses are millimeters unless otherwise specified.
For custom panel dimensions and window cutout see page 69.
A matching Carbonio panel kit is available - SKU # SP18WCC.

45 cm (18") Wine Column Panel Ready

Installation requirements



INSTALLATION

All Bertazzoni columns can be installed in a standard 635 mm (25") depth cutout.

Finish the edges of the opening because they may be visible when the door is open.

For a built-in installation, to cover gaps between the appliance and the adjacent cabinets, special side profiles are factory-installed and covering frames are provided with the product.

For panel ready columns, do not exceed the maximum weight of 34 kg (75 pounds) for door panel. Panel can have thickness ranging between 19 mm (3/4") and 28 mm (1 1/8").

For instructions of product combinations please see the Multiple Installation Section (page 59).

CABINET REQUIREMENT

Installation of the appliance must be performed in accordance with the provisions of applicable legislation.

Be sure that support of this appliance is perpendicular to the front facing of the wall or cabinet before you perform the installation.

The floor must be flat and must be capable of supporting the weight of the appliance when in use.

Required floor support	315 kg (694 lb)
-------------------------------	-----------------

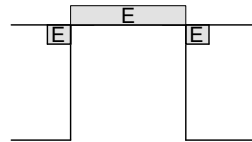
ELECTRICAL REQUIREMENT

The installation must comply with all applicable electrical codes. A properly-grounded horizontally-mounted electrical receptacle should be installed.

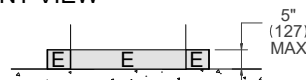
Place the electrical supply flush with the back wall and within the shaded area shown in the illustrations.

Placement within the opening may require additional cabinet depth.

TOP VIEW



FRONT VIEW



A separate circuit breaker servicing only this appliance is recommended.

Electrical supply	220-240 V 50/60 Hz 130 W 0,7 A
Service	10 Amp dedicated circuit
Power Connection	2-pole 220V SCHUKO plug with 2 m power cord

For detailed installation specifications consult the multiple installation requirements page or each single product installation manual.

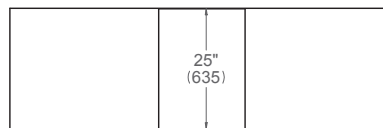
Dimensions in parentheses are millimeters unless otherwise specified.

45 cm (18") Wine Column Panel Ready

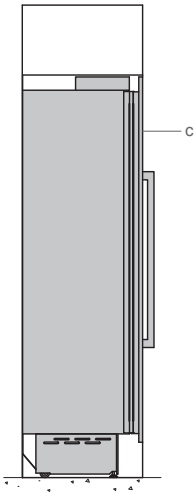
Flush installation



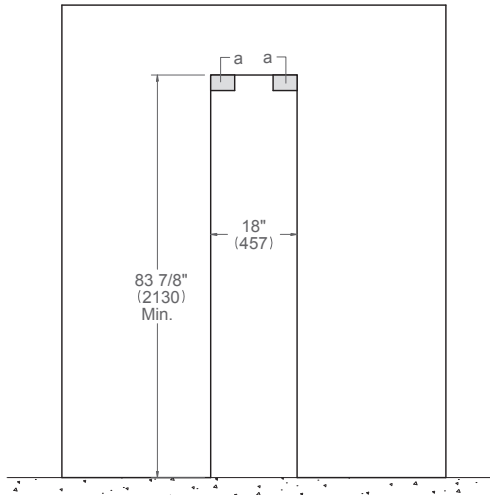
TOP VIEW^b



SIDE VIEW



FRONT VIEW



- (a) Area to be left clear for the anti-tipping brackets – 140x100 mm (5 1/2" x 4")
- (c) Panel dimensions available on Built-in Food Preservation Design Guide or Installation Manual

Dimensions in parentheses are millimeters unless otherwise specified.

b: depth includes kitchen cabinet front panel.

COLUMNS MULTIPLE INSTALLATIONS





Multiple installations

Installation requirements



INSTALLATION

All Bertazzoni columns can be installed in a standard 635 mm (25") depth cutout.

Finish the edges of the opening because they may be visible when the door is open.

For a built-in installation, to cover gaps between the appliances and the adjacent cabinets, special side profiles are factory-installed and covering frames are provided with the product.

For panel ready columns, do not exceed the maximum weight of 34 kg (75 pounds) for door panel. Panel can have thickness ranging between 19 mm (3/4") and 28 mm (1 1/8").

For instructions of product combinations please see the Multiple Installation Section (page 59).

CABINET REQUIREMENT

Installation of the appliances must be performed in accordance with the provisions of applicable legislation. Be sure that support of these appliances is perpendicular to the front facing of the wall or cabinet before you perform the installation.

The floor must be flat and must be capable of supporting the weight of all the appliances when in use. Please see any single product installation manual for required floor support.

ELECTRICAL REQUIREMENT

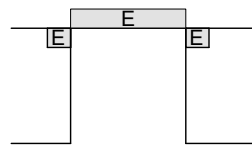
The installation must comply with all applicable electrical codes. A properly-grounded horizontally-mounted electrical receptacle should be installed.

Place the electrical supply flush with the back wall and within the shaded area shown in the illustrations.

Placement within the opening may require additional cabinet depth.

For detailed installation specifications consult the multiple installation requirements page or each single product installation manual.

TOP VIEW



FRONT VIEW



A separate 10 Amp circuit breaker servicing only these appliances is recommended.

PLUMBING REQUIREMENTS

Bertazzoni Freezer Columns are provided with a water filter assembly which must be mounted outside the unit. The appliance must be connected only to a potable water supply system.

To connect to water supply system (for appliances equipped with ice maker) a 6,4 mm (1/4") waterline with accessible shut-off valve must be supplied.

The solenoid connection on the appliance is 19 mm (3/4") diameter but is metric threaded (NPT).

The system pressure must be between 0.5 bar and 5 bar (from 8 PSI to 75 PSI). Different pressures can cause malfunctions or leaks in the water system.

For information on how to purchase the water filter, please see Use and Maintenance Manual.

Dimensions in parentheses are millimeters unless otherwise specified.

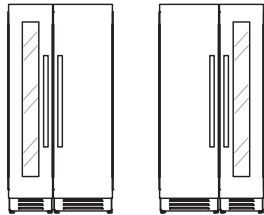
105 cm (42") Double Configurations

Flush installation

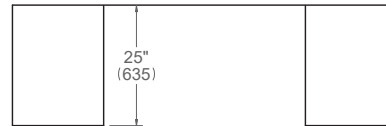


POSSIBLE COMBINATIONS ^c

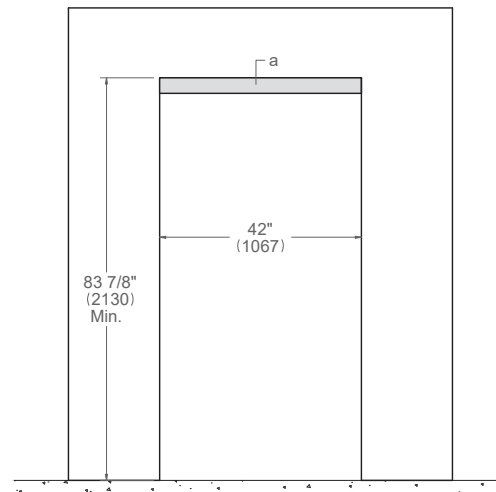
LRD605UB(L/R)XTT/24
 WC455B(L/R)X2T
 LRD605UB(L/R)PTT/24
 WC455B(L/R)P2T



TOP VIEW ^b



FRONT VIEW



(a) Area to be left clear for the anti-tipping brackets – 1067x100 mm (42"x4")

All Freezer and Wine Columns are supplied with a vertical connector trim for multiple columns installations. No additional accessories are needed.

Dimensions in parentheses are millimeters unless otherwise specified.

b: depth includes kitchen cabinet front panel.

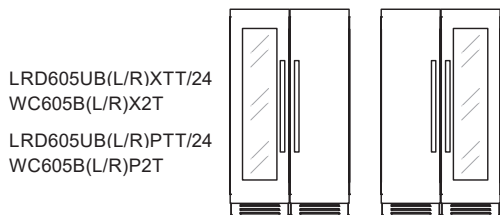
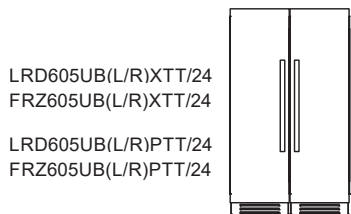
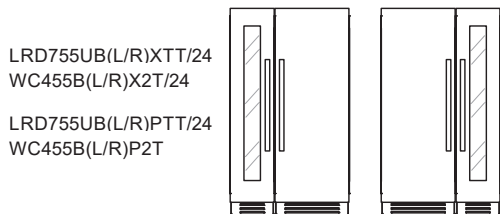
c: Optional 105 cm (42 inch) bridge toe kick accessory is available. For details see page 75

120 cm (48") Double Configurations

Flush installation



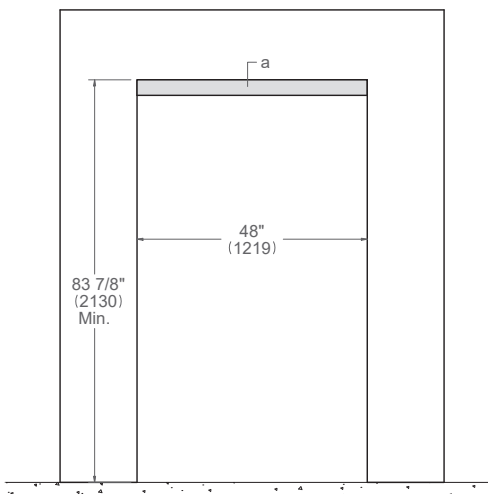
POSSIBLE COMBINATIONS ^c



TOP VIEW ^b



FRONT VIEW



- a: Area to be left clear for the anti-tipping brackets – 1219x100 mm (48"x4")
- b: Depth includes kitchen cabinet front panel.
- c: Optional 102 cm (48 inch) bridge toe kick accessory is available. For details see page 75

Dimensions in parentheses are millimeters unless otherwise specified.
All Freezer and Wine Columns are supplied with a vertical connector trim for multiple columns installations.
No additional accessories are needed.

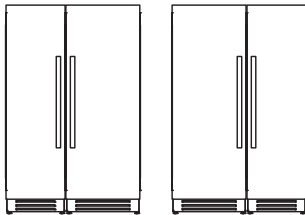
135 cm (54") Double Configurations

Flush installation

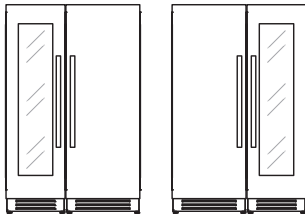


POSSIBLE COMBINATIONS

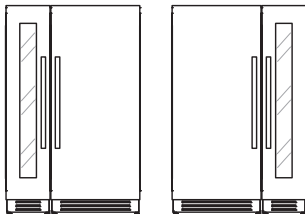
LRD755UB(L/R)XTT/24
FRZ605UB(L/R)XTT/24
LRD755UB(L/R)PTT/24
FRZ605UB(L/R)PTT/24



LRD755UB(L/R)XTT/24
WC455B(L/R)X2T
LRD755UB(L/R)PTT/24
WC455B(L/R)P2T



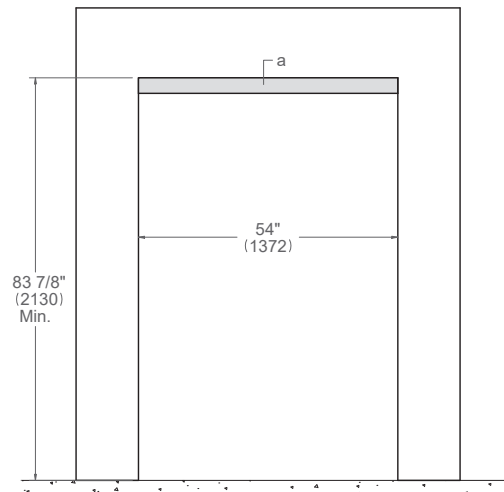
LRD905UB(L/R)PTT/24
WC455B(L/R)X2T
LRD905UB(L/R)PTT/24
WC455B(L/R)P2T



TOP VIEW^b



FRONT VIEW



a: Area to be left clear for the anti-tipping brackets – 1372x100 mm (54"x4")

b: Depth includes kitchen cabinet front panel.

Dimensions in parentheses are millimeters unless otherwise specified.

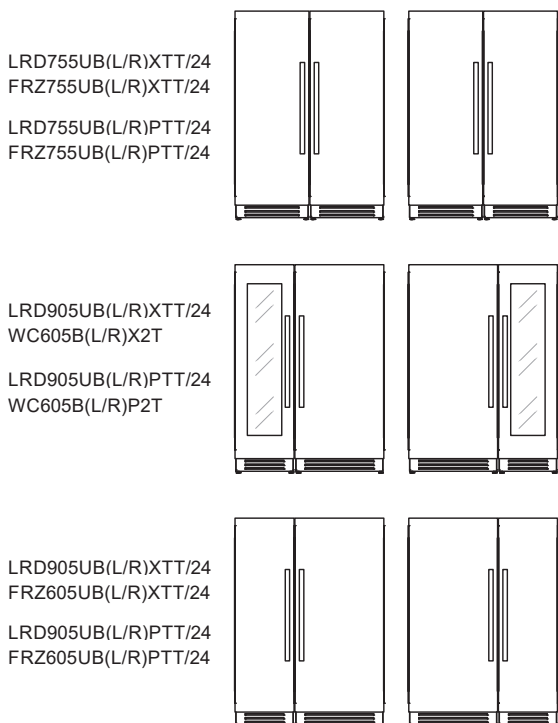
All Freezer and Wine Columns are supplied with a vertical connector trim for multiple columns installations. No additional accessories are needed.

150 cm (60") Double Configurations

Flush installation



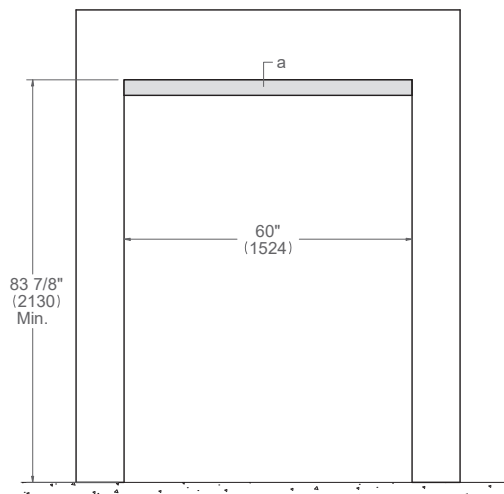
POSSIBLE COMBINATIONS



TOP VIEW^b



FRONT VIEW



a: Area to be left clear for the anti-tipping brackets – 1524x100 mm (60"x4")

b: Depth includes kitchen cabinet front panel.

Dimensions in parentheses are millimeters unless otherwise specified.

All Freezer and Wine Columns are supplied with a vertical connector trim for multiple columns installations. No additional accessories are needed.

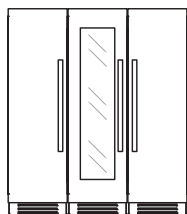
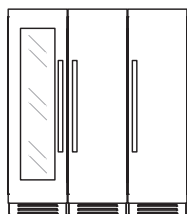
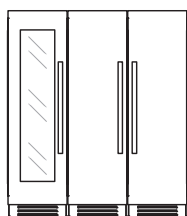
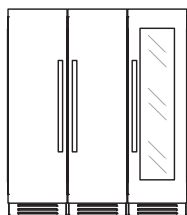
180 cm (72") Triple Configurations

Flush installation



POSSIBLE COMBINATIONS

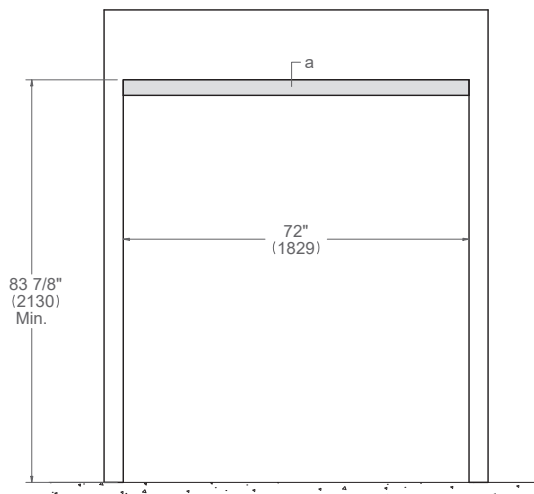
- LRD605UB(L/R)XTT/24
- FRZ605UB(L/R)XTT/24
- WC605B(L/R)X2T/24
- LRD605UB(L/R)PTT/24
- FRZ605UB(L/R)PTT/24
- WC605B(L/R)P2T/24



TOP VIEW^b



FRONT VIEW



a: Area to be left clear for the anti-tipping brackets – 1829x100 mm (72"x4")

b: Depth includes kitchen cabinet front panel.

Dimensions in parentheses are millimeters unless otherwise specified.

All Freezer and Wine Columns are supplied with a vertical connector trim for multiple columns installations. No additional accessories are needed.

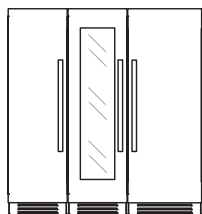
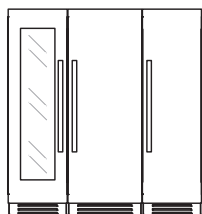
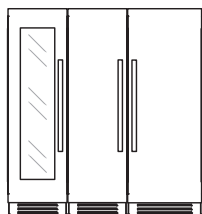
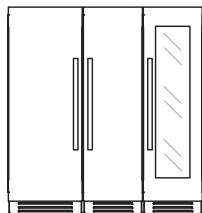
195 cm (78") Triple Configurations

Flush installation



POSSIBLE COMBINATIONS

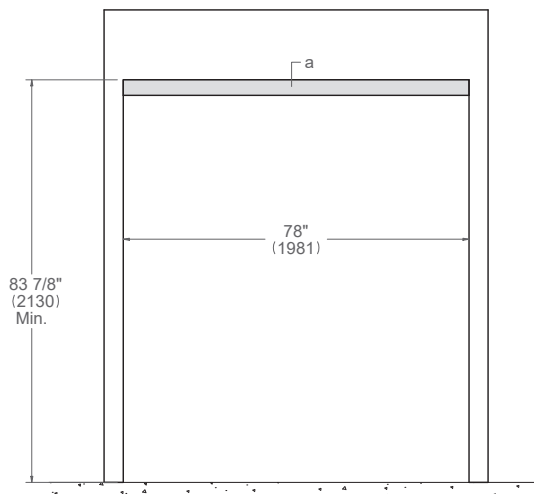
- LRD755UB(L/R)XTT/24
- FRZ605UB(L/R)XTT/24
- WC605B(L/R)X2T/24
- LRD755UB(L/R)PTT/24
- FRZ605UB(L/R)PTT/24
- WC605B(L/R)P2T/24



TOP VIEW^b



FRONT VIEW



a: Area to be left clear for the anti-tipping brackets – 1981x100 mm (78"x4")

b: Depth includes kitchen cabinet front panel.

Dimensions in parentheses are millimeters unless otherwise specified.

All Freezer and Wine Columns are supplied with a vertical connector trim for multiple columns installations. No additional accessories are needed.

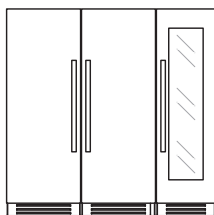
210 cm (84") Triple Configurations

Flush installation

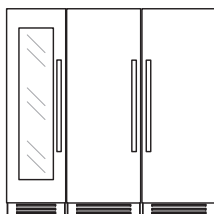


POSSIBLE COMBINATIONS

LRD905UB(L/R)XTT/24
FRZ755UB(L/R)XTT/24
WC455B(L/R)X2T/24

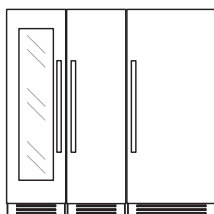


LRD905UB(L/R)PTT/24
FRZ755UB(L/R)PTT/24
WC455B(L/R)P2T/24



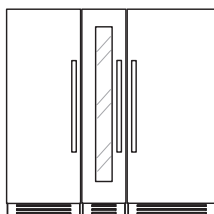
LRD755UB(L/R)XTT/24
FRZ755UB(L/R)XTT/24
WC605B(L/R)X2T/24

LRD755UB(L/R)PTT/24
FRZ755UB(L/R)PTT/24
WC605B(L/R)P2T/24



LRD905UB(L/R)XTT/24
FRZ605UB(L/R)XTT/24
WC605B(L/R)P2T/24

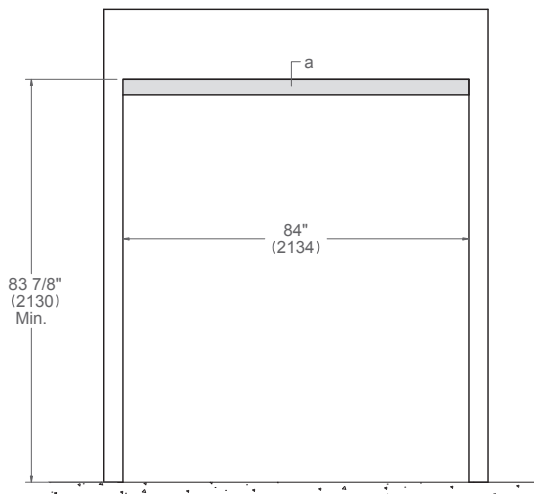
LRD905UB(L/R)PTT/24
FRZ605UB(L/R)PTT/24
WC605B(L/R)P2T/24



TOP VIEW ^b



FRONT VIEW



a: Area to be left clear for the anti-tipping brackets – 2134x100 mm (84"x4")

b: Depth includes kitchen cabinet front panel.

Dimensions in parentheses are millimeters unless otherwise specified.

All Freezer and Wine Columns are supplied with a vertical connector trim for multiple columns installations. No additional accessories are needed.

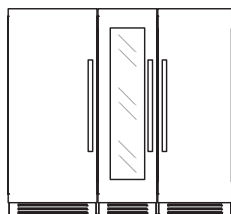
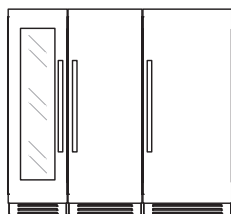
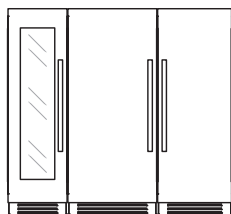
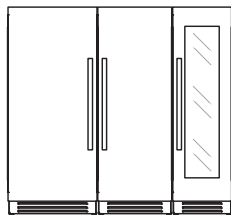
225 cm (90") Triple Configurations

Flush installation



POSSIBLE COMBINATIONS ^c

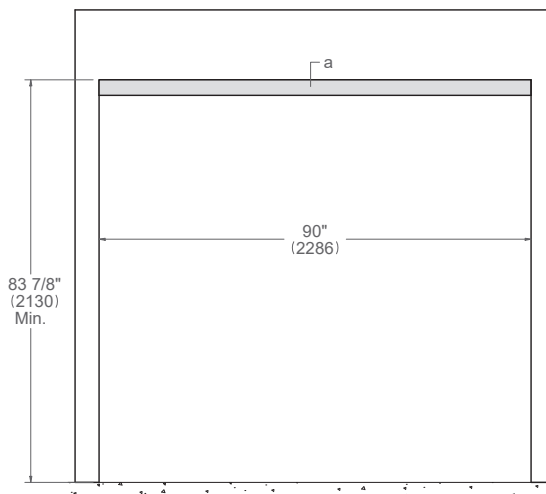
LRD905UB(L/R)XTT/24
 FRZ755UB(L/R)XTT/24
 WC605B(L/R)X2T/24
 LRD905UB(L/R)PTT/24
 FRZ755UB(L/R)PTT/24
 WC605B(L/R)P2T/24



TOP VIEW ^b



FRONT VIEW



- a: Area to be left clear for the anti-tipping brackets – 2286x100 mm (90"x4")
- b: Depth includes kitchen cabinet front panel.
- c: Optional 105 cm (42 inch) bridge toe kick accessory is available. For details see page 75

Dimensions in parentheses are millimeters unless otherwise specified.
 All Freezer and Wine Columns are supplied with a vertical connector trim for multiple columns installations.
 No additional accessories are needed.

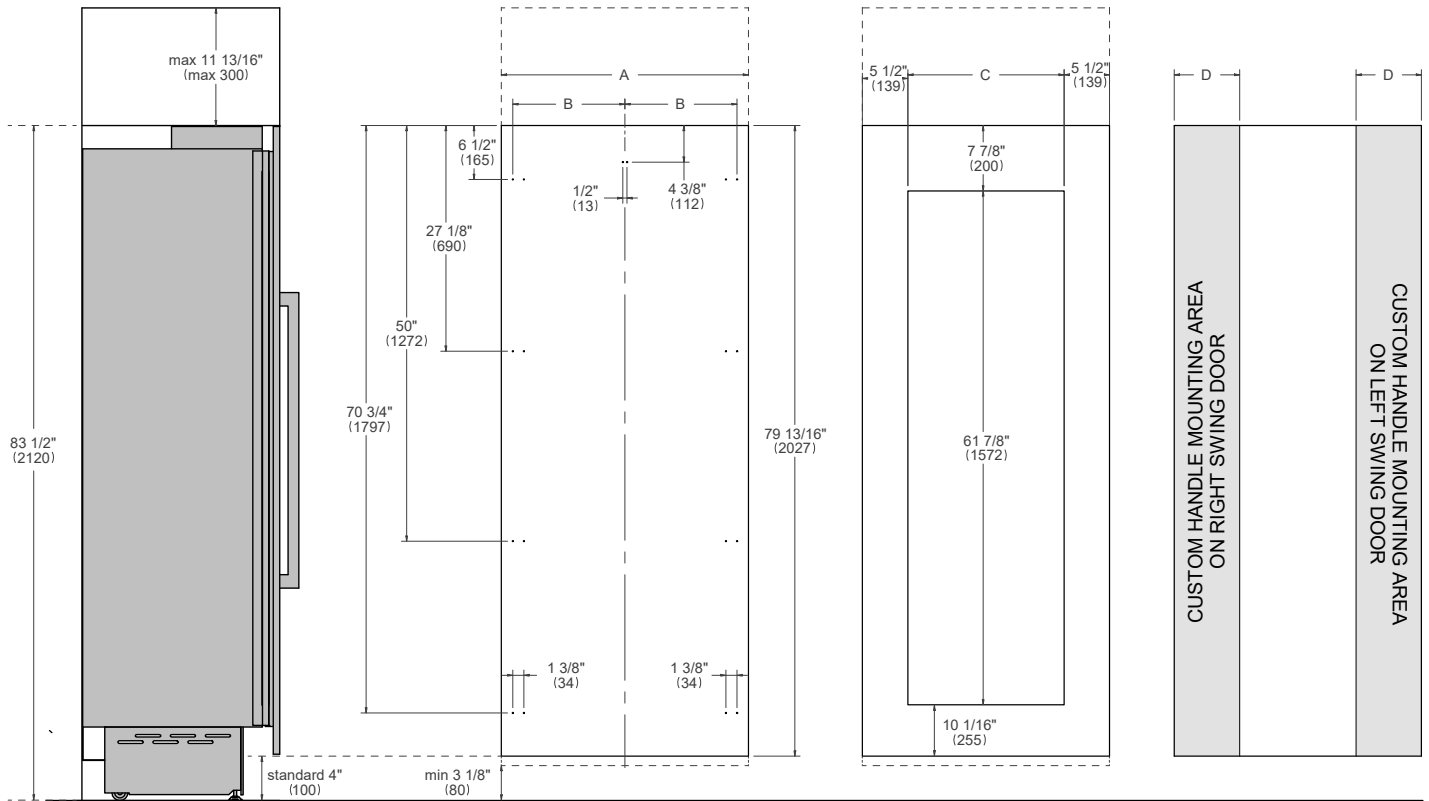
Custom Door Panel



REAR PANEL DRILLING

WINE COLUMN DOOR WINDOW DIMENSIONS

CUSTOM HANDLES MOUNTING AREA



	90 cm (36")	75 cm (30")	60 cm (24")	45 cm (18")
A	908 mm (35 3/4")	756 mm (29 3/4")	604 mm (23 3/4")	451 mm (17 3/4")
B	418 mm (16 1/2")	343 mm (13 1/2")	275 mm (10 7/8")	200 mm (7 7/8")
C	—	—	327 mm (12 7/8")	177 mm (6 7/8")
D	182 mm (7 1/8")	152 mm (6")	121 mm (4 3/4")	92 mm (3 5/8")

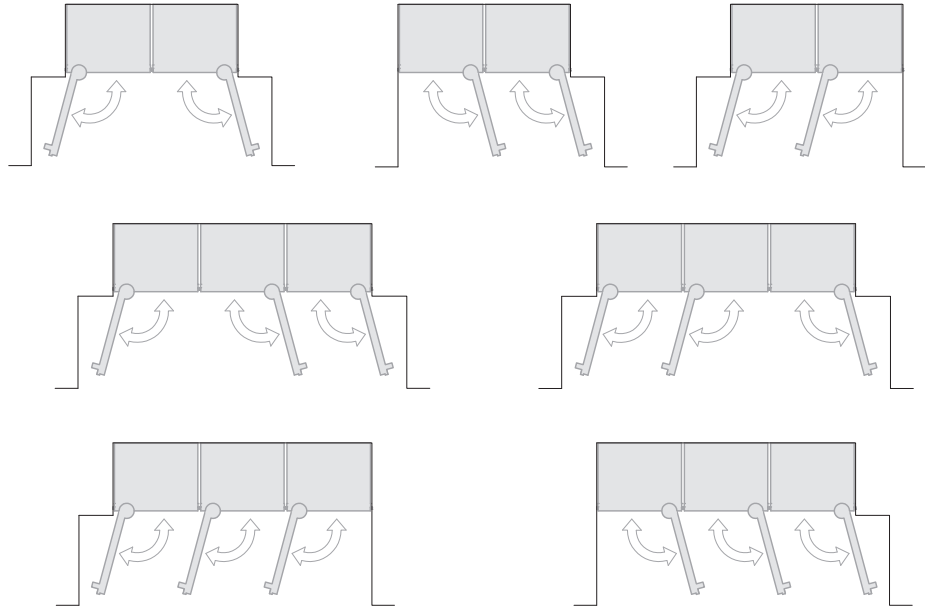
Dimensions in parentheses are millimeters unless otherwise specified.

Minimum gap between custom door panels and adjacent cabinetry is 3 mm (1/8").

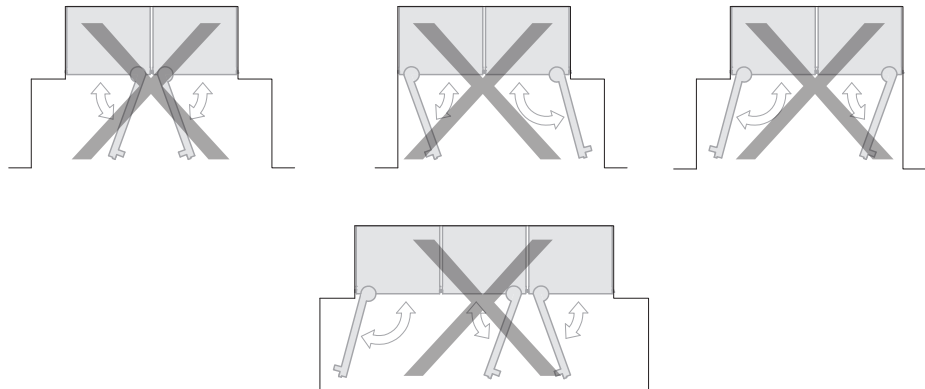
Recommended Installations



RECOMMENDED INSTALLATIONS



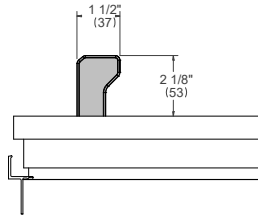
NOT RECOMMENDED INSTALLATIONS



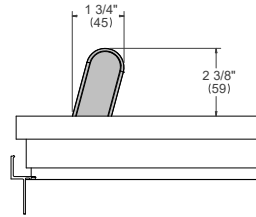
Refrigeration Handles



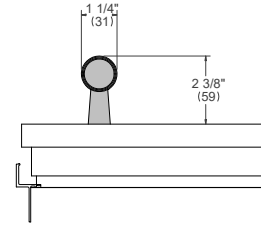
**PROFESSIONAL SERIES
PROHKCOL
PROHKCOLT**



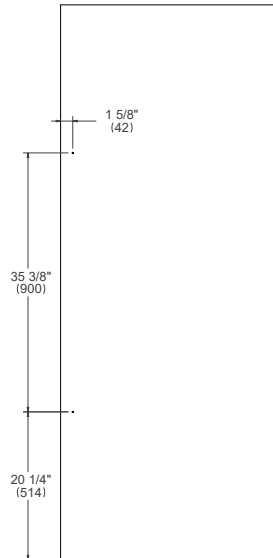
**MASTER SERIES
MASHKCOL**



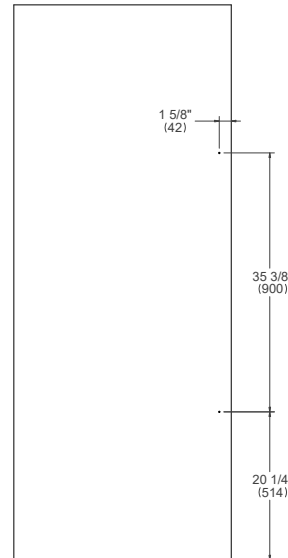
**HERITAGE SERIES
HERHKCOL**



**BERTAZZONI HANDLES
DRILLING ON RIGHT SWING DOOR**



**BERTAZZONI HANDLES
DRILLING ON LEFT SWING DOOR**



HANDLE INSTALLATION ON CUSTOM PANELS

In case a custom panel is to be mounted on any of the models listed below with Bertazzoni handles, it will be necessary to install M5 x 0.8 mm brass tapping inserts in order to secure the handle properly on the custom panel.

Recommended drill bit size to drill the pilot hole is 9,5 mm (3/8").

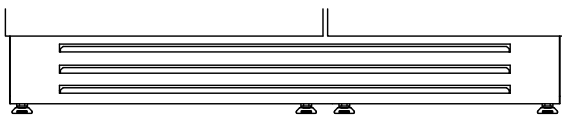
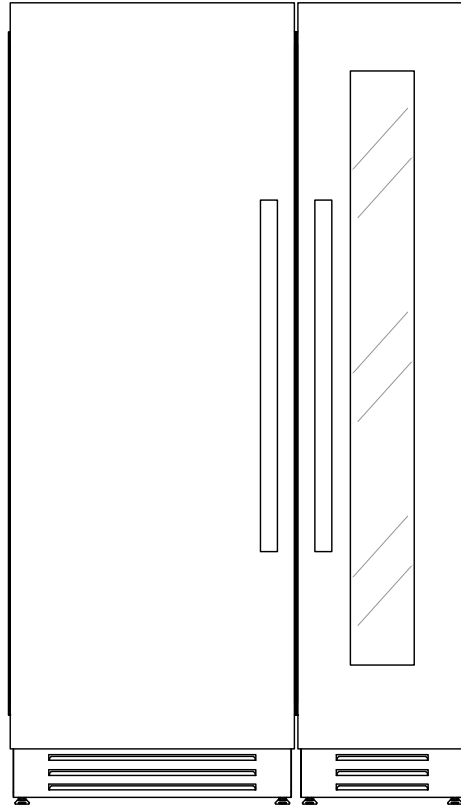
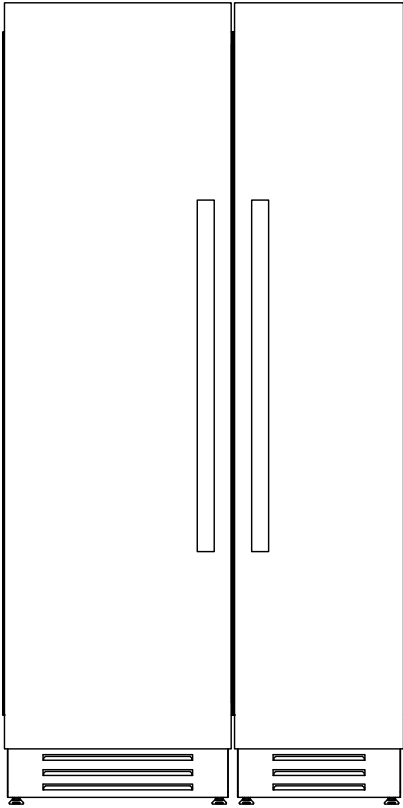
Suitable inserts can be ordered at www.encompass.com

Part Number: 95631A100, contains n°4 M5 brass hardwood inserts and 1 M5 installation bit.

Do not use a power tool to mount the inserts. Installation of the inserts with improperly calibrated power tools risk damaging the panels.

Dimensions in parentheses are millimeters unless otherwise specified.

Toekick Panel



Part number 901560

Part number 901561

Installation of multiple column units with a continuous cabinet toe kick are possible. Details are provided in the Bertazzoni Columns installation manual.

BUILT-IN BOTTOM MOUNT REFRIGERATORS



These refrigerators from the T tier are masterpieces of design, styled to reflect Bertazzoni's meticulous attention to detail. They are practical, too - incorporating the latest technology to retain the nutritional value, vitamins, minerals, and texture of your food for longer. Designed for true flush installation in a standard depth cabinet, they are available in both stainless steel and panel-ready models for a seamless installation with any adjacent cabinetry and can be installed side-by-side, doubling your refrigerator space.

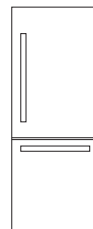
Add the finishing touch with Professional, Master, or Heritage Series handles to match the other appliances in your kitchen.

The side-by-side installation kit lets you create clean lines in your kitchen. "Lift and swing" hinges are available on 90 cm (36") and 75 cm (30") models to allow a minimal vertical gap of 3 mm (1/8") between adjacent front cabinet panels.

90 cm (36")
Panel Installed and
Panel Ready



75 cm (30")
Panel Installed and
Panel Ready





90 cm (36") Bottom Mount Panel Installed

Dimensions



REF905BBLXTT/24 left hinge
 REF905BBRXTT/24 right hinge

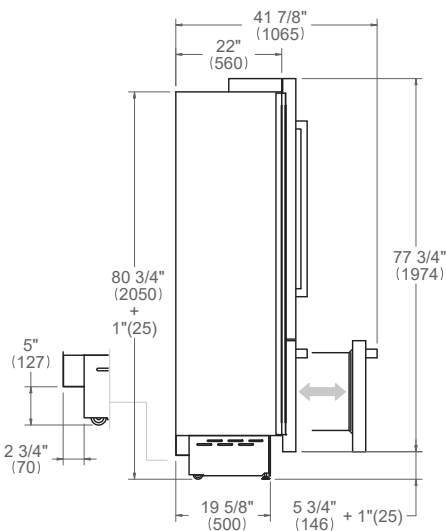
Handle choices

Professional Series: PROHK36PI

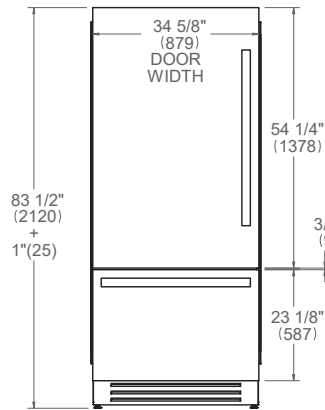
Master series: MASHK36PI

Heritage Series: HERHK36PI

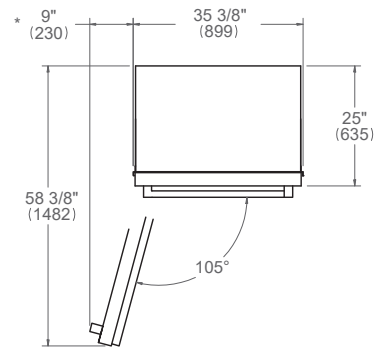
SIDE VIEW



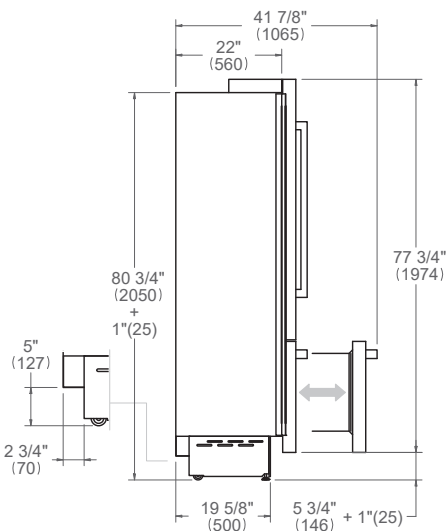
FRONT VIEW



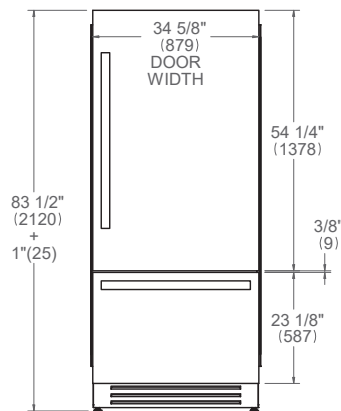
TOP VIEW



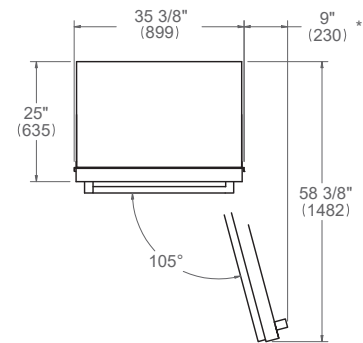
SIDE VIEW



FRONT VIEW



TOP VIEW



* Maximum Overall Handle Dimension
 For detailed handle dimensions see page 100

Dimensions in parentheses are millimeters unless otherwise specified.

90 cm (36") Bottom Mount Panel Installed

Installation requirements



CABINET REQUIREMENT

Installation of the appliance must be performed in accordance with the provisions of applicable legislation.

Be sure that support of this appliance is perpendicular to the front facing of the wall or cabinet before you perform the installation.

The floor must be flat and must be capable of supporting the weight of the appliance when in use.

Required floor support	695 kg (1532 lb)
-------------------------------	------------------

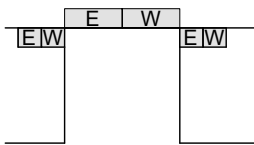
ELECTRICAL REQUIREMENT

The installation must comply with all applicable electrical codes. A properly-grounded horizontally-mounted electrical receptacle should be installed.

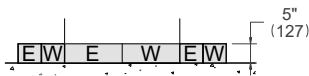
Place the electrical supply flush with the back wall and within the shaded area shown in the illustrations.

Placement within the opening may require additional cabinet depth.

TOP VIEW



FRONT VIEW



A separate circuit breaker servicing only this appliance is recommended.

Electrical supply	220-240 V 50/60 Hz 275 W 1,5 A
Service	10 Amp dedicated circuit
Power Connection	2-pole 220V SCHUKO plug with 2,5 m power cord

PLUMBING REQUIREMENT

Bertazzoni Bottom Mount refrigerators are provided with a water filter assembly which must be mounted inside the unit. The appliance must be connected only to a potable water supply system.

To connect to water supply system (for appliances equipped with ice maker) a 6,4 mm (1/4") waterline with accessible shut-off valve must be supplied.

The solenoid connection on the appliance is 19 mm (3/4") diameter but is metric threaded (NPT).

The system pressure must be from 0.5 bar to 5 bar (between 8 PSI and 75 PSI). Different pressures can cause malfunctions or leaks in the water system.

For detailed installation specifications consult the multiple installation requirements page or each single product installation manual.

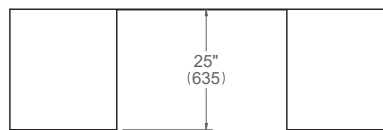
Dimensions in parentheses are millimeters unless otherwise specified.

90 cm (36") Bottom Mount Panel Installed

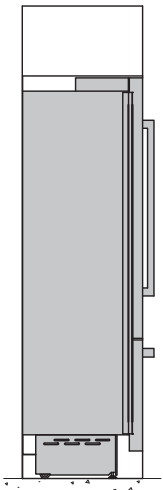
Flush installation



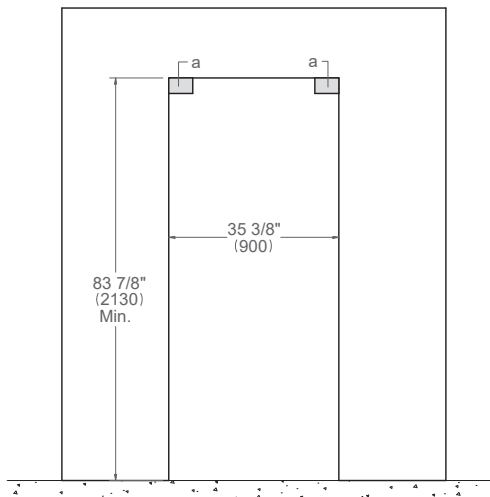
TOP VIEW^b



SIDE VIEW



FRONT VIEW



(a) Area to be left clear for the anti-tipping brackets – 140x100 mm (5 1/2" x 4")

Dimensions in parentheses are millimeters unless otherwise specified.

b: depth includes kitchen cabinet front panel.

90 cm (36") Bottom Mount Panel Ready

Dimensions



REF905BBLPTT/24 left hinge
 REF905BBRPTT/24 right hinge

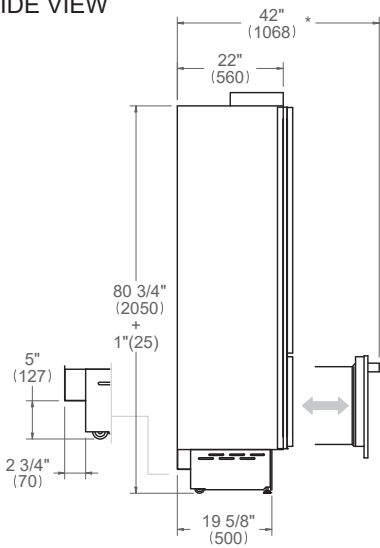
Handle choices

Professional Series: PROHK36PI

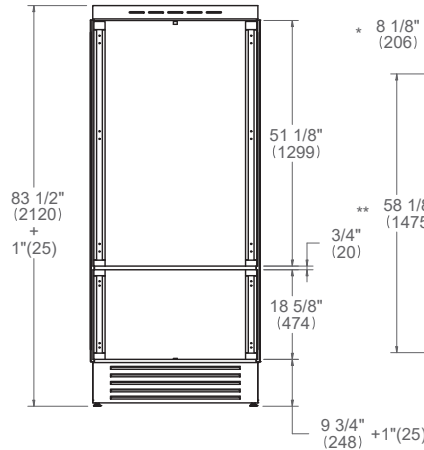
Master series: MASHK36PI

Heritage Series: HERHK36PI

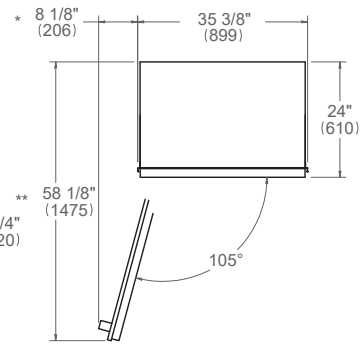
SIDE VIEW



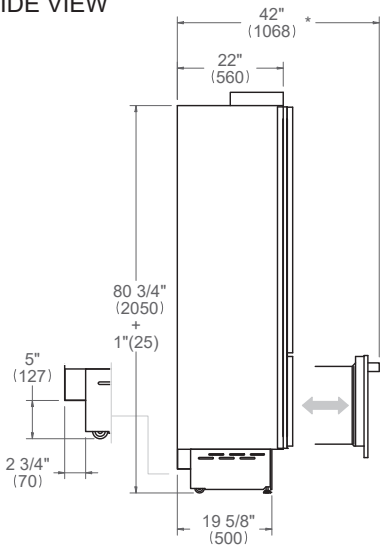
FRONT VIEW



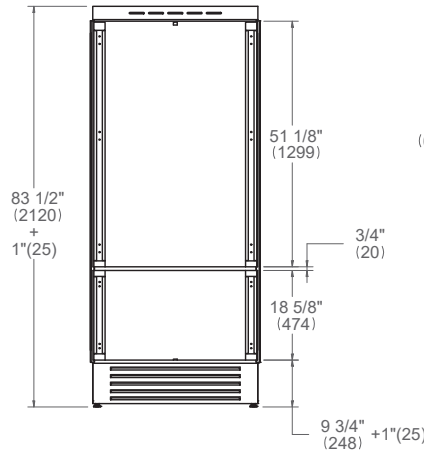
TOP VIEW



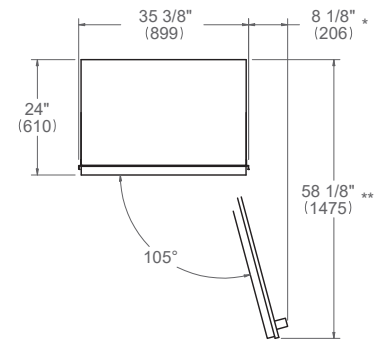
SIDE VIEW



FRONT VIEW



TOP VIEW



* Maximum Overall Handle Dimension
 ** 19 mm (3/4") Door Panel thickness
 For custom panel dimensions see page 99
 For detailed handle dimensions see page 100

Dimensions in parentheses are millimeters unless otherwise specified.

90 cm (36") Bottom Mount Panel Ready

Installation requirements



CABINET REQUIREMENT

Installation of the appliance must be performed in accordance with the provisions of applicable legislation.

Be sure that support of this appliance is perpendicular to the front facing of the wall or cabinet before you perform the installation.

The floor must be flat and must be capable of supporting the weight of the appliance when in use.

Required floor support	695 kg (1532 lb)
-------------------------------	------------------

For panel ready bottom mount, do not exceed the maximum weight of 23 kg (51 pounds) for door panel and 11 kg (25 pounds) for drawer panel.

Panel can have thickness ranging between 19 mm (3/4") and 28 mm (1 1/8").

ELECTRICAL REQUIREMENT

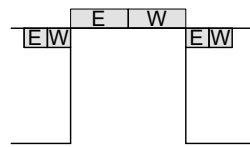
The installation must comply with all applicable electrical codes. A properly-grounded horizontally-mounted electrical receptacle should be installed.

Place the electrical supply flush with the back wall and within the shaded area shown in the illustrations.

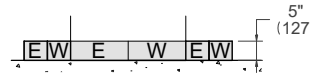
Placement within the opening may require additional cabinet depth.

For detailed installation specifications consult the multiple installation requirements page or each single product installation manual.

TOP VIEW



FRONT VIEW



A separate circuit breaker servicing only this appliance is recommended.

Electrical supply	220-240 V 50/60 Hz 275 W 1,5 A
Service	10 Amp dedicated circuit
Power Connection	2-pole 220V SCHUKO plug with 2,5 m power cord

PLUMBING REQUIREMENT

Bertazzoni Bottom Mount refrigerators are provided with a water filter assembly which must be mounted inside the unit. The appliance must be connected only to a potable water supply system.

To connect to water supply system (for appliances equipped with ice maker) a 6,4 mm (1/4") waterline with accessible shut-off valve must be supplied.

The solenoid connection on the appliance is 19 mm (3/4") diameter but is metric threaded (NPT).

The system pressure must be from 0.5 bar to 5 bar (between 8 PSI and 75 PSI). Different pressures can cause malfunctions or leaks in the water system.

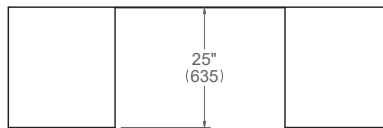
Dimensions in parentheses are millimeters unless otherwise specified.

90 cm (36") Bottom Mount Panel Ready

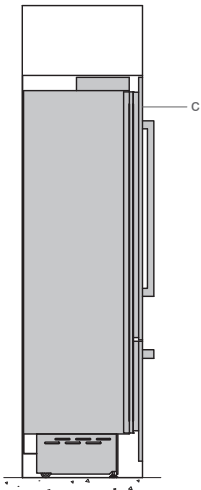
Flush installation



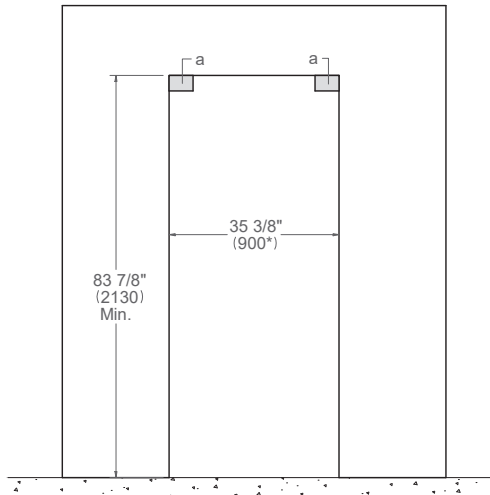
TOP VIEW^b



SIDE VIEW



FRONT VIEW



- (a) Area to be left clear for the anti-tipping brackets – 140x100 mm (5 1/2" x 4")
- (c) Panel dimensions available on Built-in Food Preservation Design Guide or Installation Manual

Dimensions in parentheses are millimeters unless otherwise specified.

b: depth includes kitchen cabinet front panel.
 * 903 mm (35 9/16") for framed-in installation.

75 cm (30") Bottom Mount Panel Installed

Dimensions

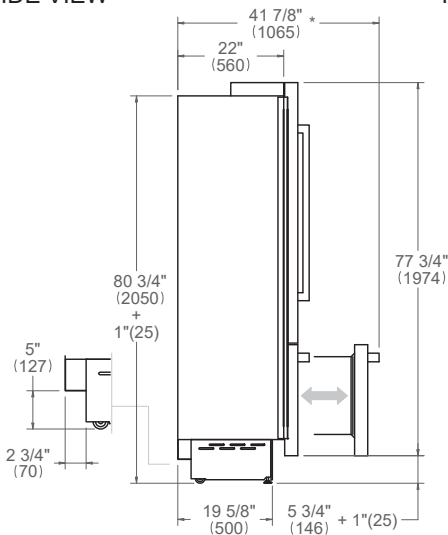


REF755BBLXTT/24 left hinge
 REF755BBRXTT/24 right hinge

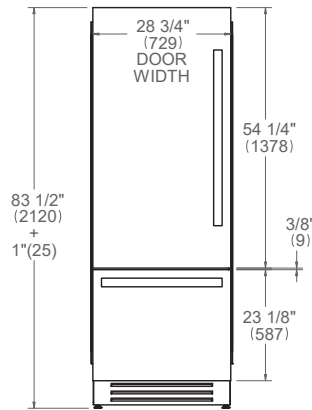
Handle choices

Professional Series: PROHK30PI
 Master series: MASHK30PI
 Heritage Series: HERHK30PI

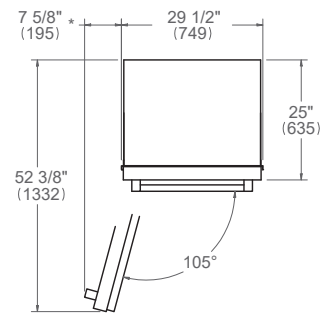
SIDE VIEW



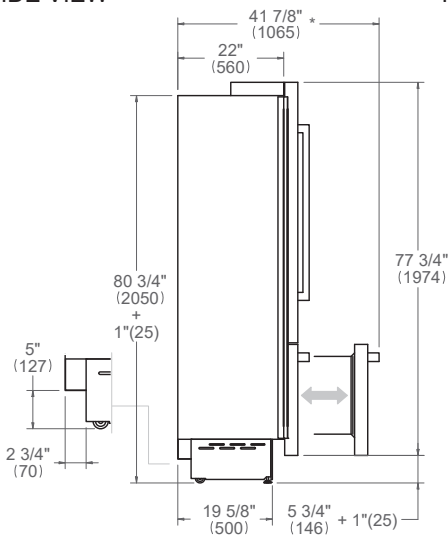
FRONT VIEW



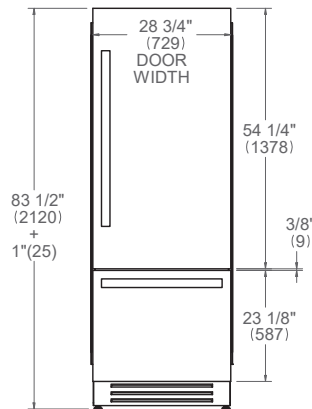
TOP VIEW



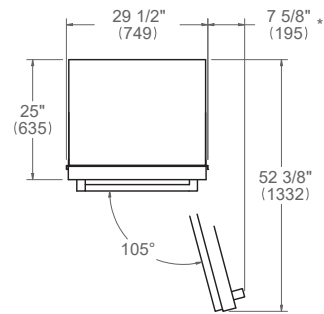
SIDE VIEW



FRONT VIEW



TOP VIEW



* Maximum Overall Handle Dimension
 For detailed handle dimensions see page 100

Dimensions in parentheses are millimeters unless otherwise specified.

75 cm (30") Bottom Mount Panel Installed

Installation requirements



CABINET REQUIREMENT

Installation of the appliance must be performed in accordance with the provisions of applicable legislation.

Be sure that support of this appliance is perpendicular to the front facing of the wall or cabinet before you perform the installation.

The floor must be flat and must be capable of supporting the weight of the appliance when in use.

Required floor support	570 kg (1257 lb)
-------------------------------	------------------

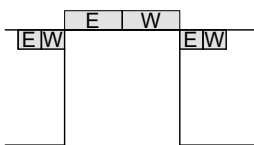
ELECTRICAL REQUIREMENT

The installation must comply with all applicable electrical codes. A properly-grounded horizontally-mounted electrical receptacle should be installed.

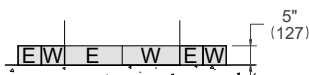
Place the electrical supply flush with the back wall and within the shaded area shown in the illustrations.

Placement within the opening may require additional cabinet depth.

TOP VIEW



FRONT VIEW



A separate circuit breaker servicing only this appliance is recommended.

Electrical supply	220-240 V 50/60 Hz 250 W 1,4 A
Service	10 Amp dedicated circuit
Power Connection	2-pole 220V SCHUKO plug with 2,5 m power cord

PLUMBING REQUIREMENT

Bertazzoni Bottom Mount refrigerators are provided with a water filter assembly which must be mounted inside the unit. The appliance must be connected only to a potable water supply system.

To connect to water supply system (for appliances equipped with ice maker) a 6,4 mm (1/4") waterline with accessible shut-off valve must be supplied.

The solenoid connection on the appliance is 19 mm (3/4") diameter but is metric threaded (NPT).

The system pressure must be from 0.5 bar to 5 bar (between 8 PSI and 75 PSI). Different pressures can cause malfunctions or leaks in the water system.

For detailed installation specifications consult the multiple installation requirements page or each single product installation manual.

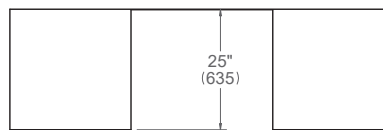
Dimensions in parentheses are millimeters unless otherwise specified.

75 cm (30") Bottom Mount Panel Installed

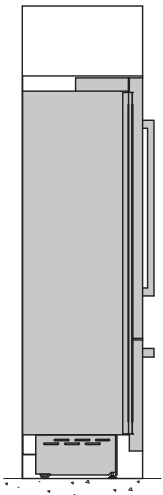
Flush installation



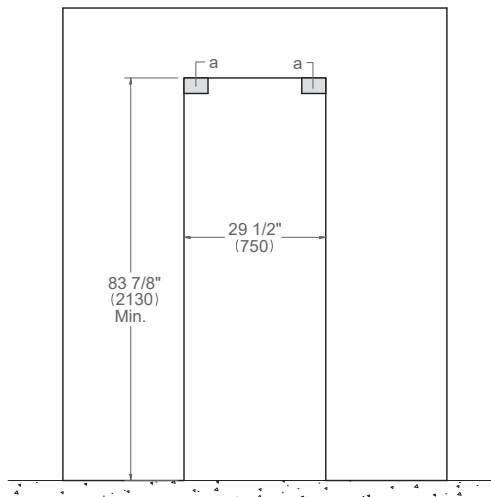
TOP VIEW^b



SIDE VIEW



FRONT VIEW



(a) Area to be left clear for the anti-tipping brackets – 140x100 mm (5 1/2" x 4")

Dimensions in parentheses are millimeters unless otherwise specified.

b: depth includes kitchen cabinet front panel.

75 cm (30") Bottom Mount Panel Ready

Dimensions

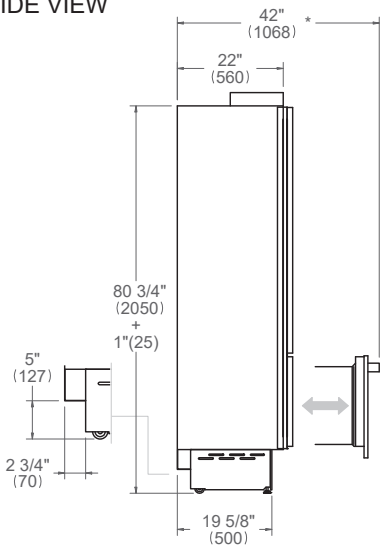


REF755BBLPTT/24 left hinge
 REF755BBRPTT/24 right hinge

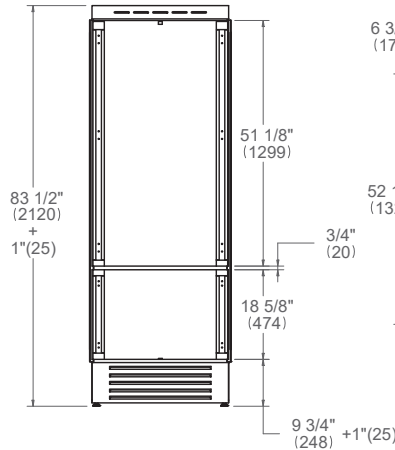
Handle choices

Professional Series: PROHK30PI
 Master series: MASHK30PI
 Heritage Series: HERHK30PI

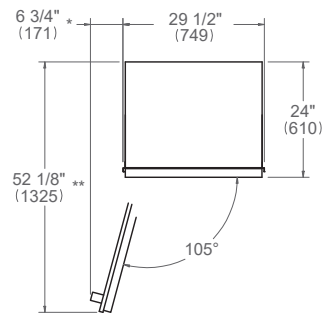
SIDE VIEW



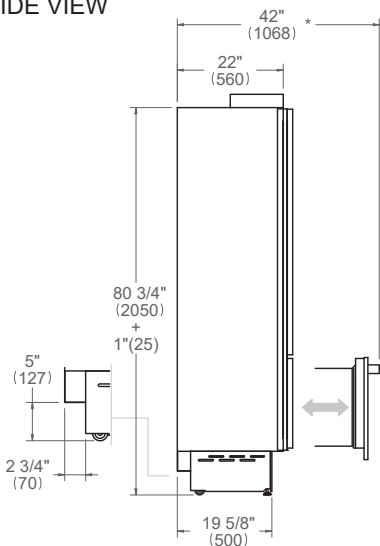
FRONT VIEW



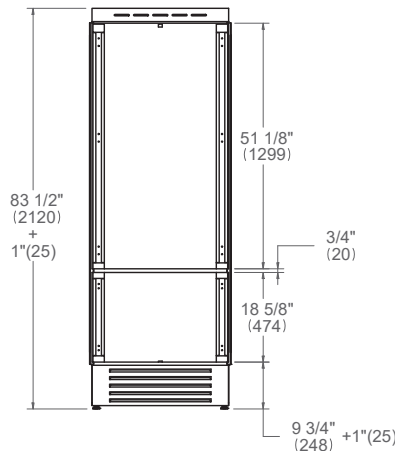
TOP VIEW



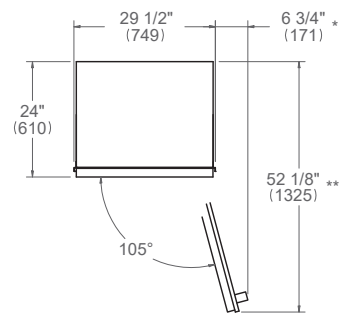
SIDE VIEW



FRONT VIEW



TOP VIEW



* Maximum Overall Handle Dimension
 ** 19 mm (3/4") Door Panel thickness
 For custom panel dimensions see page 99
 For detailed handle dimensions see page 100

Dimensions in parentheses are millimeters unless otherwise specified.

75 cm (30") Bottom Mount Panel Ready

Installation requirements



CABINET REQUIREMENT

Installation of the appliance must be performed in accordance with the provisions of applicable legislation.

Be sure that support of this appliance is perpendicular to the front facing of the wall or cabinet before you perform the installation.

The floor must be flat and must be capable of supporting the weight of the appliance when in use.

Required floor support	570 kg (1257 lb)
-------------------------------	------------------

For panel ready bottom mount, do not exceed the maximum weight of 23 kg (51 pounds) for door panel and 11 kg (25 pounds) for drawer panel.

Panel can have thickness ranging between 19 mm (3/4") and 28 mm (1 1/8").

ELECTRICAL REQUIREMENT

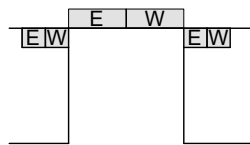
The installation must comply with all applicable electrical codes. A properly-grounded horizontally-mounted electrical receptacle should be installed.

Place the electrical supply flush with the back wall and within the shaded area shown in the illustrations.

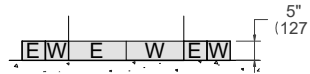
Placement within the opening may require additional cabinet depth.

For detailed installation specifications consult the multiple installation requirements page or each single product installation manual.

TOP VIEW



FRONT VIEW



A separate circuit breaker servicing only this appliance is recommended.

Electrical supply	220-240 V 50/60 Hz 250 W 1,4 A
Service	10 Amp dedicated circuit
Power Connection	2-pole 220V SCHUKO plug with 2,5 m power cord

PLUMBING REQUIREMENT

Bertazzoni Bottom Mount refrigerators are provided with a water filter assembly which must be mounted inside the unit. The appliance must be connected only to a potable water supply system.

To connect to water supply system (for appliances equipped with ice maker) a 6,4 mm (1/4") waterline with accessible shut-off valve must be supplied.

The solenoid connection on the appliance is 19 mm (3/4") diameter but is metric threaded (NPT).

The system pressure must be from 0.5 bar to 5 bar (between 8 PSI and 75 PSI). Different pressures can cause malfunctions or leaks in the water system.

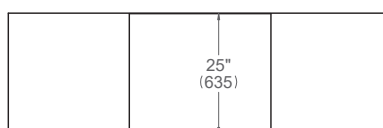
Dimensions in parentheses are millimeters unless otherwise specified.

75 cm (30") Bottom Mount Panel Ready

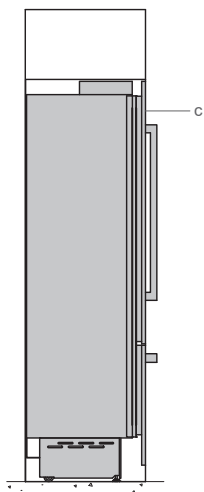
Flush installation



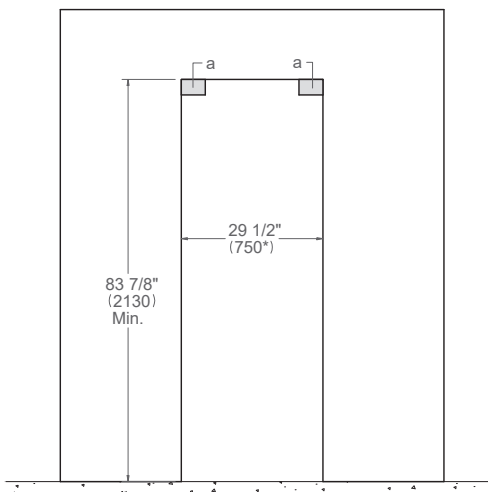
TOP VIEW^b



SIDE VIEW



FRONT VIEW



- (a) Area to be left clear for the anti-tipping brackets – 140x100 mm (5 1/2" x 4")
- (c) Panel dimensions available on Built-in Food Preservation Design Guide or Installation Manual

Dimensions in parentheses are millimeters unless otherwise specified.

b: depth includes kitchen cabinet front panel.

* 753 mm (29 5/8") for framed-in installation.

BOTTOM MOUNT MULTIPLE INSTALLATIONS





Bottom Mount Multiple Installations

Installation requirements



CABINET REQUIREMENT

Installation of the appliance must be performed in accordance with the provisions of applicable legislation.

Be sure that support of this appliance is perpendicular to the front facing of the wall or cabinet before you perform the installation.

The floor must be flat and must be capable of supporting the weight of the appliance when in use.

For panel ready bottom mount, do not exceed the maximum weight of 23 kg (51 pounds) for door panel and 11 kg (25 pounds) for drawer panel.

Panel can have thickness ranging between 19 mm (3/4") and 28 mm (1 1/8").

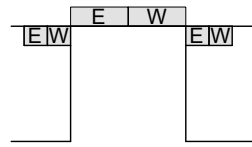
ELECTRICAL REQUIREMENT

The installation must comply with all applicable electrical codes. A properly-grounded horizontally-mounted electrical receptacle should be installed.

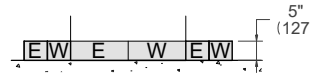
Place the electrical supply flush with the back wall and within the shaded area shown in the illustrations.

Placement within the opening may require additional cabinet depth.

TOP VIEW



FRONT VIEW



A separate circuit breaker servicing only these appliances is recommended.

PLUMBING REQUIREMENT

Bertazzoni Bottom Mount refrigerators are provided with a water filter assembly which must be mounted inside the unit. The appliance must be connected only to a potable water supply system.

To connect to water supply system (for appliances equipped with ice maker) a 6,4 mm (1/4") waterline with accessible shut-off valve must be supplied.

The solenoid connection on the appliance is 19 mm (3/4") diameter but is metric threaded (NPT).

The system pressure must be between 0.5 bar and 5 bar (from 8 PSI to 75 PSI). Different pressures can cause malfunctions or leaks in the water system.

For detailed installation specifications consult the multiple installation requirements page or each single product installation manual.

Dimensions in parentheses are millimeters unless otherwise specified.

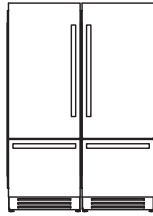
150 cm (60") Bottom Mount Double Configurations

Flush installation

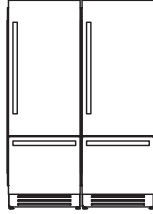


POSSIBLE COMBINATIONS

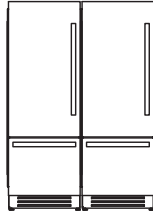
REF755BBRXTT/24
REF755BBLXTT/24
REF755BBRPTT/24
REF755BBLPTT/24



REF755BBRXTT/24
REF755BBRXTT/24
REF755BBRPTT/24
REF755BBRPTT/24



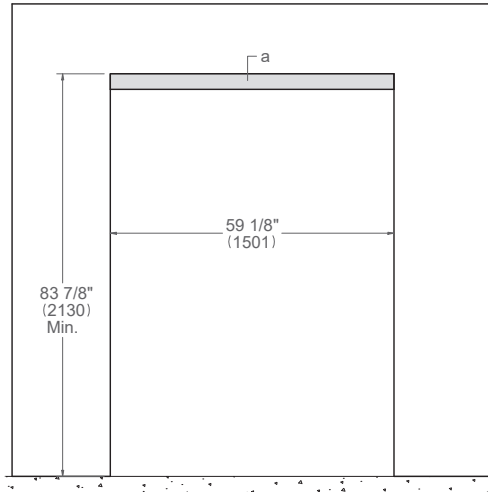
REF755BBLXTT/24
REF755BBLXTT/24
REF755BBLPTT/24
REF755BBLPTT/24



TOP VIEW^b



FRONT VIEW



a Area to be left clear for the anti-tipping brackets – 1524x100 mm (60"x4")

b Depth includes kitchen cabinet front panel

Dimensions in parentheses are millimeters unless otherwise specified.

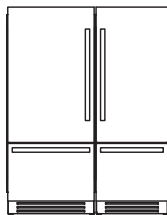
165 cm (66") Bottom Mount Double Configurations

Flush installation

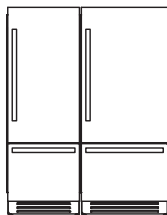


POSSIBLE COMBINATIONS

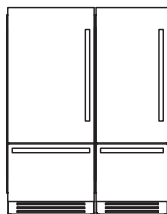
REF755BBRXTT/24
 REF755BBLXTT/24
 REF755BBLXTT/24
 REF905BBRXTT/24
 REF755BBRPPT/24
 REF905BBLPPT/24
 REF755BBLPPT/24
 REF905BBRPPT/24



REF755BBRXTT/24
 REF905BBRXTT/24
 REF755BBRPPT/24
 REF905BBRPPT/24



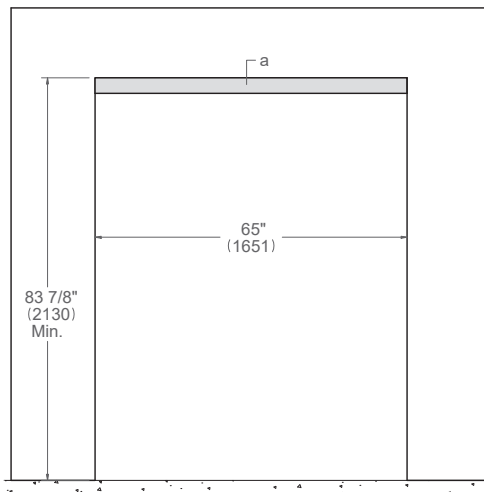
REF755BBLXTT/24
 REF905BBLXTT/24
 REF755BBLPPT/24
 REF905BBLPPT/24



TOP VIEW^b



FRONT VIEW



a Area to be left clear for the anti-tipping brackets – 1676x100 mm (66"x4")

b Depth includes kitchen cabinet front panel

Dimensions in parentheses are millimeters unless otherwise specified.

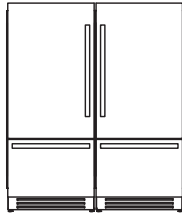
180 cm (72") Bottom Mount Double Configurations

Flush installation

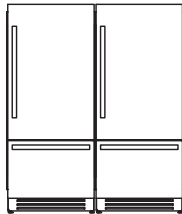


POSSIBLE COMBINATIONS

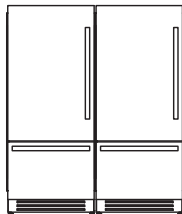
REF905BBRXTT/24
REF905BBLXTT/24
REF905BBRPPT/24
REF905BBLPPT/24



REF905BBRXTT/24
REF905BBRXTT/24
REF905BBRPPT/24
REF905BBRPPT/24



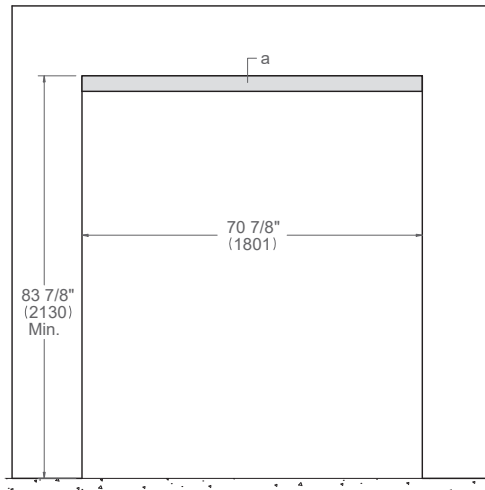
REF905BBLXTT/24
REF905BBLXTT/24
REF905BBLPPT/24
REF905BBLPPT/24



TOP VIEW^b



FRONT VIEW



a Area to be left clear for the anti-tipping brackets – 1829x100 mm (72"x4")

b Depth includes kitchen cabinet front panel

Dimensions in parentheses are millimeters unless otherwise specified.

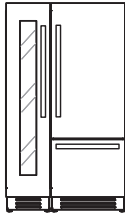
120 cm (48") Double Configurations*

Flush installation

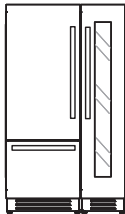


POSSIBLE COMBINATIONS ^c

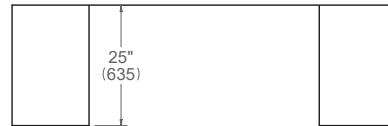
REF755BBRPTT/24
WC455BLP2T



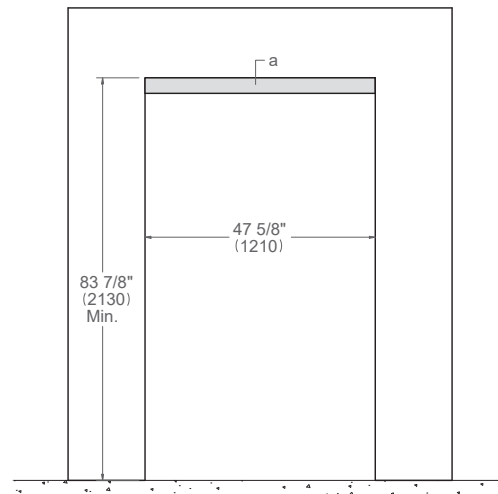
REF755BBLPTT/24
WC455BRP2T



TOP VIEW ^b



FRONT VIEW



a: Area to be left clear for the anti-tipping brackets – 1219x100 mm (48"x4")

b: Depth includes kitchen cabinet front panel.

c: Optional 120 cm (48 inch) bridge toe kick accessory is available. For details see page 75

Dimensions in parentheses are millimeters unless otherwise specified.

* The combination of bottom mount and wine column is only available for panel ready models.

All Freezer and Wine Columns are supplied with a vertical connector trim for multiple columns installations. No additional accessories are needed.

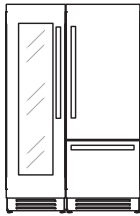
135 cm (54") Double Configurations*

Flush installation

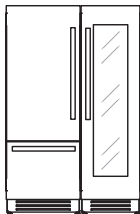


POSSIBLE COMBINATIONS

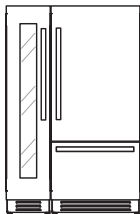
REF755BBRPTT/24
WC605BLP2T



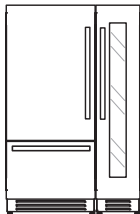
REF755BBLPTT/24
WC605BRP2T



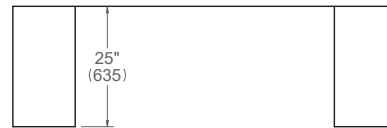
REF905BBRPTT/24
WC455BLP2T



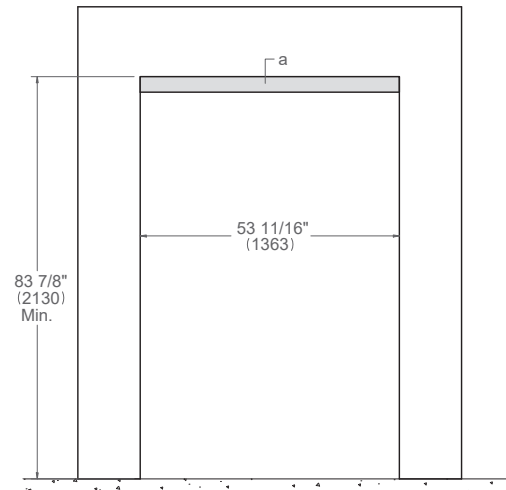
REF905BBLPTT/24
WC455BRP2T



TOP VIEW^b



FRONT VIEW



a Area to be left clear for the anti-tipping brackets – 1372x100 mm (54"x4")

b Depth includes kitchen cabinet front panel

Dimensions in parentheses are millimeters unless otherwise specified.

* The combination of bottom mount and wine column is only available for panel ready models.

All Freezer and Wine Columns are supplied with a vertical connector trim for multiple columns installations.

No additional accessories are needed.

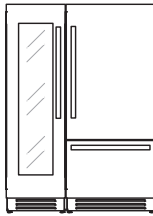
150 cm (60") Double Configurations*

Flush installation

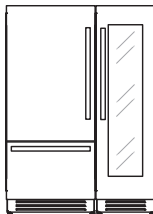


POSSIBLE COMBINATIONS

REF905BBRPTT/24
WC605BLP2T



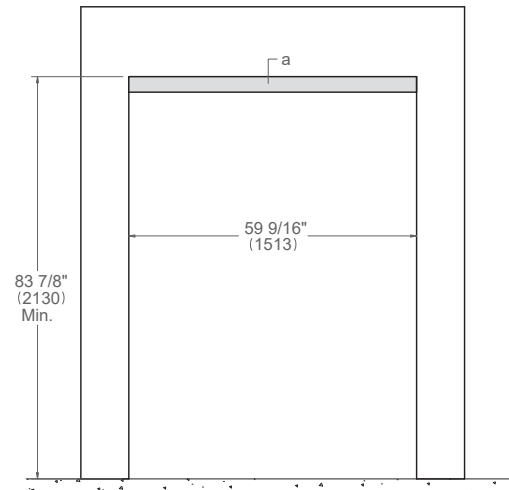
REF905BBLPTT/24
WC605BRP2T



TOP VIEW^b



FRONT VIEW



a: Area to be left clear for the anti-tipping brackets – 1524x100 mm (60"x4")

b: Depth includes kitchen cabinet front panel.

Dimensions in parentheses are millimeters unless otherwise specified.

* The combination of bottom mount and wine column is only available for panel ready models.

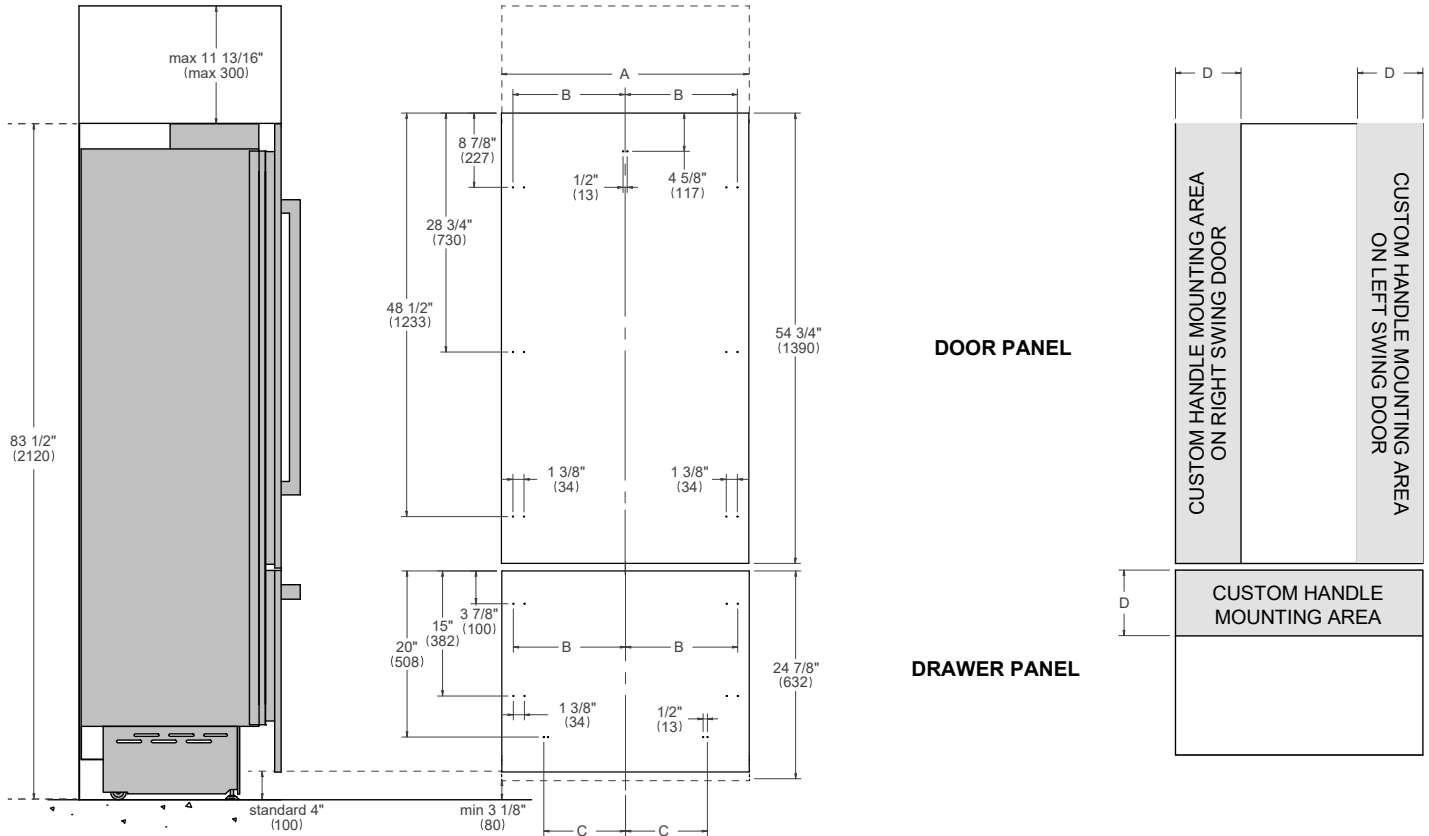
All Freezer and Wine Columns are supplied with a vertical connector trim for multiple columns installations. No additional accessories are needed.

Custom Door Panel



REAR PANEL DRILLING

CUSTOM HANDLES MOUNTING AREA



	90 cm (36")	75 cm (30")
A	897 mm (35 1/4")	747 mm (29 3/8")
B	418 mm (16 1/2")	343 mm (13 1/2")
C	354.5 mm (14")	279.5 mm (11")
D	182 mm (7 1/8")	152 mm (6")

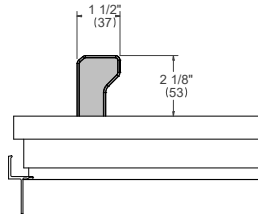
Dimensions in parentheses are millimeters unless otherwise specified.

Minimum gap between custom door panels and adjacent cabinetry is 3 mm (1/8").

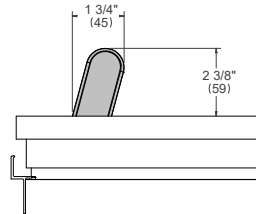
Refrigeration Handles



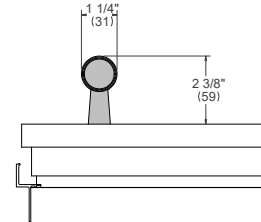
PROFESSIONAL SERIES
PROHK36PI
PROHK30PI



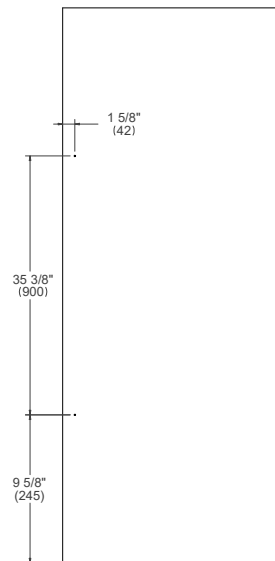
MASTER SERIES
MASHK36PI
MASHK30PI



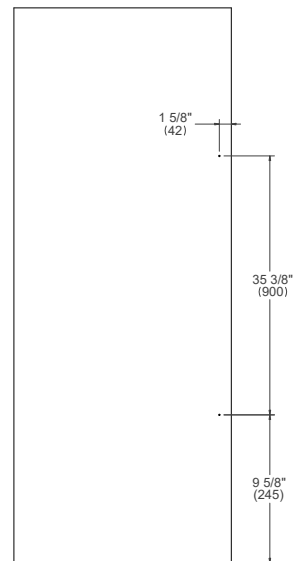
HERITAGE SERIES
HERHK36PI
HERHK30PI



BERTAZZONI HANDLES
DRILLING ON RIGHT SWING DOOR



BERTAZZONI HANDLES
DRILLING ON LEFT SWING DOOR



HANDLE INSTALLATION ON CUSTOM PANELS

In case a custom panel is to be mounted on any of the models listed below with Bertazzoni handles, it will be necessary to install M5 x 0.8 mm brass tapping inserts in order to secure the handle properly on the custom panel.

Recommended drill bit size to drill the pilot hole is 9,5 mm (3/8").

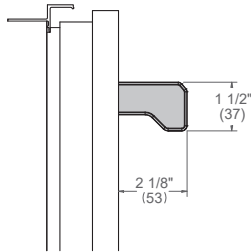
Do not use a power tool to mount the inserts. Installation of the inserts with improperly calibrated power tools risk damaging the panels.

Dimensions in parentheses are millimeters unless otherwise specified.

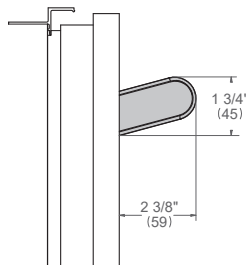
Bottom Mount Refrigeration Handles



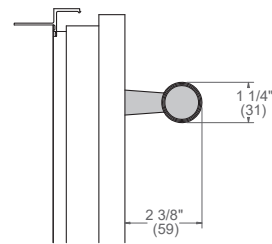
PROFESSIONAL SERIES
PROHK36PI
PROHK30PI



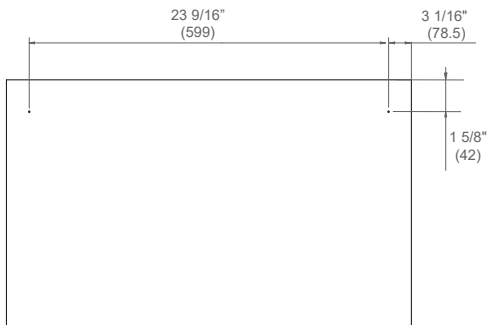
MASTER SERIES
MASHK36PI
MASHK30PI



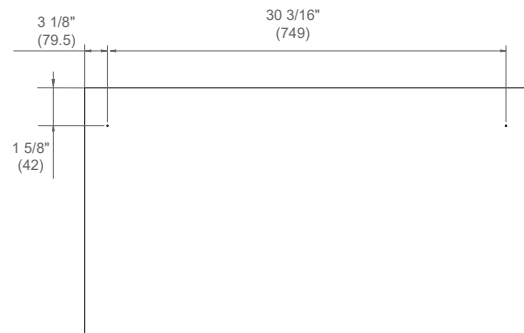
HERITAGE SERIES
HERHK36PI
HERHK30PI



BERTAZZONI HANDLES
DRILLING ON 30" (75CM) FREEZER DRAWER



BERTAZZONI HANDLES
DRILLING ON 36" (90CM) FREEZER DRAWER



HANDLE INSTALLATION ON CUSTOM PANELS

In case a custom panel is to be mounted on any of the models listed below with Bertazzoni handles, it will be necessary to install M5 x 0.8 mm brass tapping inserts in order to secure the handle properly on the custom panel.
 Recommended drill bit size to drill the pilot hole is 3/8".

Do not use a power tool to mount the inserts. Installation of the inserts with improperly calibrated power tools risk damaging the panels.

Dimensions in parentheses are millimeters unless otherwise specified.

V TIER LINE UP



BUILT-IN REFRIGERATOR COLUMNS



BUILT-IN COLUMNS

Experience the ultimate design and technology with Bertazzoni's V tier refrigerators and freezer columns. These masterpieces of style boast high-quality materials and attention to detail in all respects. The reversible panel-ready doors^(*) are mounted on cutting-edge Hettich hinges, providing a seamless and weightless range of motion. With versatile installation options, you can create elegant configurations of the refrigerator, freezer and wine columns. You can also customize your columns with optional stainless panels, handles, and finishes, available for every Series.

75 cm (30") - 60 cm (24")
Panel Ready



(*) Exept 45 cm (18") models.



DUAL COOLING SYSTEM

PROTECTING FRESH SYSTEM

VEGETABLE CRISPERS

DRY STORAGE

DRY STORAGE

DRY STORAGE

DRY STORAGE

DRY STORAGE

DRY STORAGE

DRY STORAGE

DRY STORAGE

DRY STORAGE

DRY STORAGE

DRY STORAGE

DRY STORAGE

DRY STORAGE

DRY STORAGE

DRY STORAGE

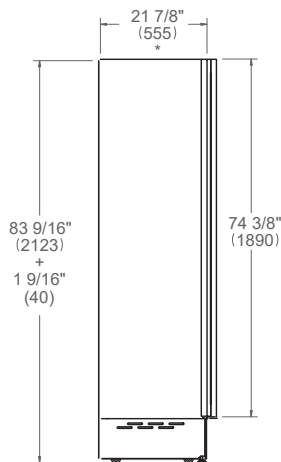
75 cm (30") Refrigerator Column Panel Ready

Dimensions

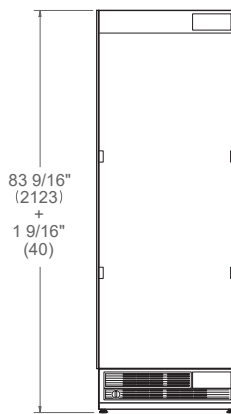


RLD75S5FPNS reversible hinges

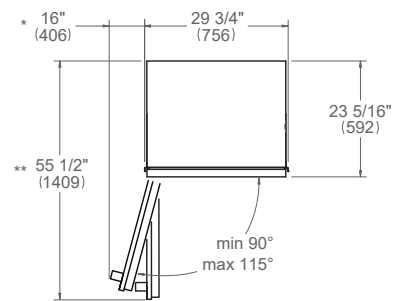
SIDE VIEW



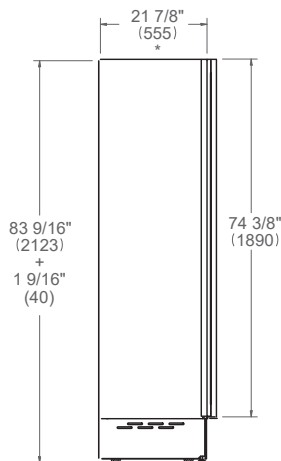
FRONT VIEW



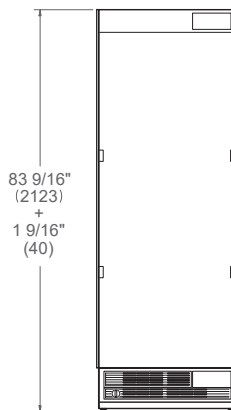
TOP VIEW



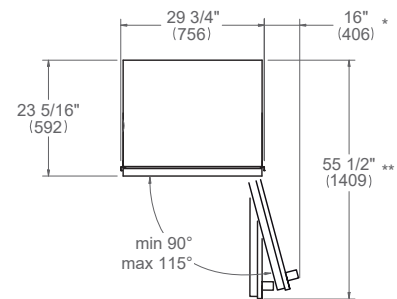
SIDE VIEW



FRONT VIEW



TOP VIEW



* Depth without door
 ** Maximum Overall Handle Dimension, 19 mm (3/4") Door Panel thickness
 For custom panel dimensions see page 116
 For detailed handle dimensions see page 118

Dimensions in parentheses are millimeters unless otherwise specified.
 A matching stainless steel panel kit is available – SKU # SP30CX.
 A matching Carbonio panel kit is available - SKU # SP30CC

75 cm (30") Refrigerator Column Panel Ready

Installation requirements



INSTALLATION

All Bertazzoni columns can be installed in a standard 635 mm (25") depth cutout. Finish the edges of the opening because they may be visible when the door is open.

For a built-in installation, to cover gaps between the appliance and the adjacent cabinets, special side profiles are factory-installed and covering frames are provided with the product.

For panel ready columns, do not exceed the maximum weight of 30 kg (66 pounds) for door panel. Panels can have a thickness ranging between 19 mm (3/4") and 18 mm (1 1/2"). For a flush installation in 635 mm (25") deep cabinets, custom door panels should not be thicker than 24 mm (15/16").

For instructions of product combinations please see the Multiple Installation Section (page 112).

CABINET REQUIREMENT

Installation of the appliance must be performed in accordance with the provisions of applicable legislation.

Be sure that support of this appliance is perpendicular to the front facing of the wall or cabinet before you perform the installation.

The floor must be flat and must be capable of supporting the weight of the appliance when in use.

Required floor support	544 kg (1200 lb)
-------------------------------	------------------

ELECTRICAL REQUIREMENT

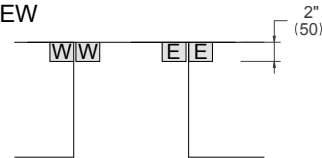
The installation must comply with all applicable electrical codes. A properly-grounded horizontally-mounted electrical receptacle should be installed.

Place the electrical supply flush with the back wall and within the shaded area shown in the illustrations.

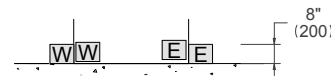
Placement within the opening may require additional cabinet depth.

For detailed installation specifications consult the multiple installation requirements page or each single product installation manual.

TOP VIEW



FRONT VIEW



A separate circuit breaker servicing only this appliance is recommended.

Electrical supply	220-240 V 50/60 Hz 112 W 2 A
Service	15 Amp dedicated circuit
Power Connection	SHUCKO with 2,3 m power cord power cord

PLUMBING REQUIREMENT

Bertazzoni Refrigerator Columns are provided with a water filter assembly which must be mounted on the bottom part of the unit. The appliance must be connected only to a potable water supply system.

To connect to water supply system (for appliances equipped with water dispenser), use a 6,4 mm (1/4") waterline with accessible shut-off valve.

The system pressure must be between from 1.7 to 5.5 bar (between 25 and 80 PSI). Different pressures can cause malfunctions or leaks in the water system.

For information on how to purchase the water filter, please see the product spec sheet.

Dimensions in parentheses are millimeters unless otherwise specified.

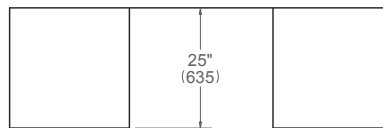
A matching Carbonio panel kit is available - SKU # SP30CC

75 cm (30") Refrigerator Column Panel Ready

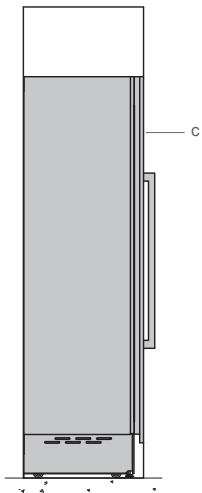
Flush installation



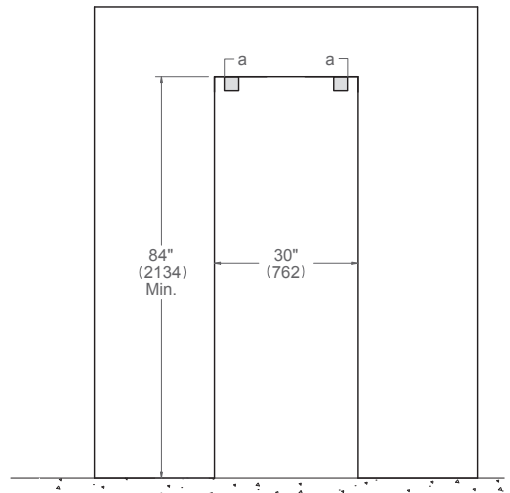
TOP VIEW^b



SIDE VIEW



FRONT VIEW



- (a) Anti-tipping brackets included with appliance – 101x5 mm (4"x3/16")
- (c) Panel dimensions available on Door Panel Specs, Built-in Food Preservation Design Guide or Installation Manual

Dimensions in parentheses are millimeters unless otherwise specified.

b: depth includes kitchen cabinet front panel.

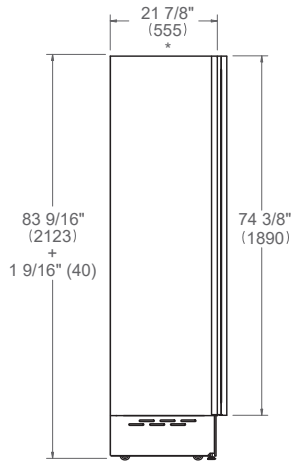
60 cm (24") Refrigerator Column Panel Ready

Dimensions

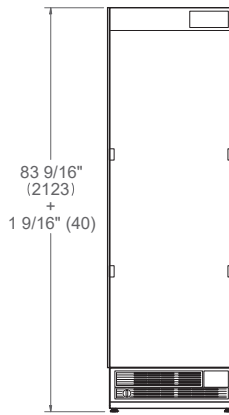


RLD60S5FPNS reversible hinges

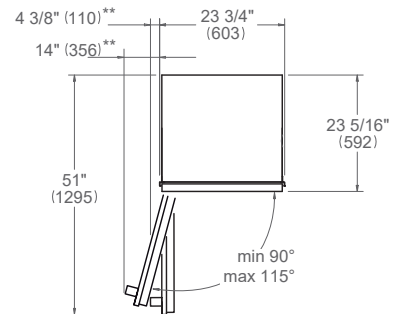
SIDE VIEW



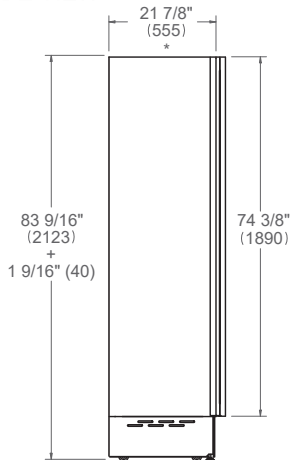
FRONT VIEW



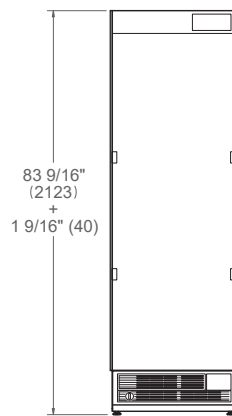
TOP VIEW



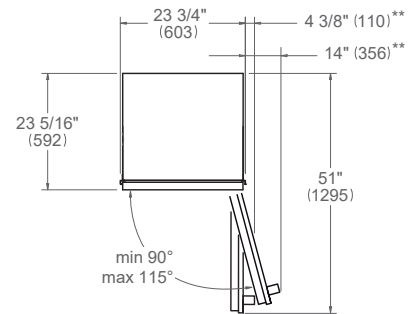
SIDE VIEW



FRONT VIEW



TOP VIEW



* Depth without door

** Maximum Overall Handle Dimension, 3/4" (19) Door Panel thickness

For custom panel dimensions see page 137

For detailed handle dimensions see page 139

Dimensions in parentheses are millimeters unless otherwise specified.

A matching stainless steel panel kit is available – SKU # SP24CX.

A matching Carbonio panel kit is available - SKU # SP24CC.

60 cm (24") Refrigerator Column Panel Ready

Installation requirements



INSTALLATION

All Bertazzoni columns can be installed in a standard 635 mm (25") depth cutout. Finish the edges of the opening because they may be visible when the door is open.

For a built-in installation, to cover gaps between the appliance and the adjacent cabinets, special side profiles are factory-installed and covering frames are provided with the product.

For panel ready columns, do not exceed the maximum weight of 30 kg (66 pounds) for door panel. Panels can have a thickness ranging between 19 mm (3/4") and 18 mm (1 1/2"). For a flush installation in 635 mm (25") deep cabinets, custom door panels should not be thicker than 24 mm (15/16").

For instructions of product combinations please see the Multiple Installation Section (page 112).

CABINET REQUIREMENT

Installation of the appliance must be performed in accordance with the provisions of applicable legislation.

Be sure that support of this appliance is perpendicular to the front facing of the wall or cabinet before you perform the installation.

The floor must be flat and must be capable of supporting the weight of the appliance when in use.

Required floor support	544 kg (1200 lb)
-------------------------------	------------------

ELECTRICAL REQUIREMENT

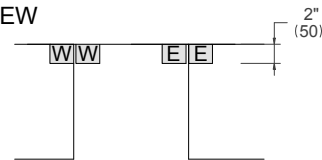
The installation must comply with all applicable electrical codes. A properly-grounded horizontally-mounted electrical receptacle should be installed.

Place the electrical supply flush with the back wall and within the shaded area shown in the illustrations.

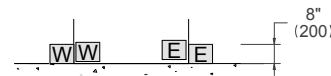
Placement within the opening may require additional cabinet depth.

For detailed installation specifications consult the multiple installation requirements page or each single product installation manual.

TOP VIEW



FRONT VIEW



A separate circuit breaker servicing only this appliance is recommended.

Electrical supply	220-240 V 50/60 Hz 112 W 2 A
Service	15 Amp dedicated circuit
Power Connection	SHUCKO with 2,3 m power cord power cord

PLUMBING REQUIREMENT

Bertazzoni Refrigerator Columns are provided with a water filter assembly which must be mounted on the bottom part of the unit. The appliance must be connected only to a potable water supply system.

To connect to water supply system (for appliances equipped with water dispenser), use a 6,4 mm (1/4") waterline with accessible shut-off valve.

The system pressure must be between from 1.7 to 5.5 bar (between 25 and 80 PSI). Different pressures can cause malfunctions or leaks in the water system.

For information on how to purchase the water filter, please see the product spec sheet.

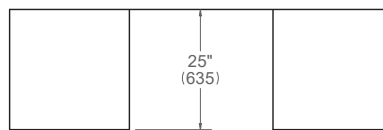
Dimensions in parentheses are millimeters unless otherwise specified.

60 cm (24") Refrigerator Column Panel Ready

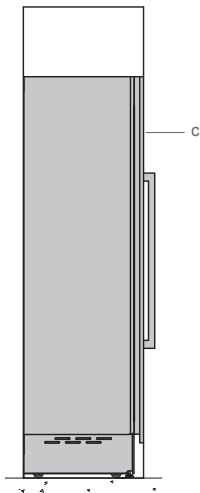
Flush installation



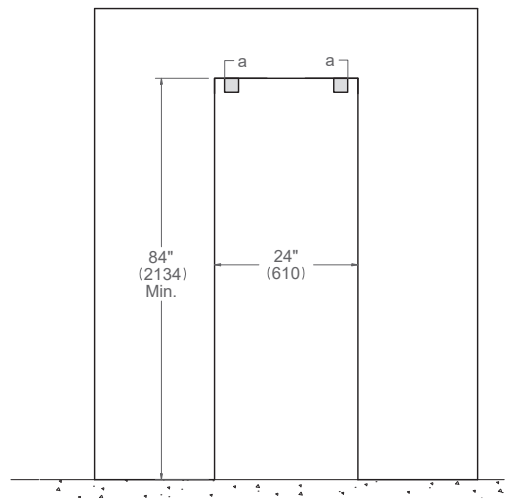
TOP VIEW^b



SIDE VIEW



FRONT VIEW



- (a) Anti-tipping brackets included with appliance – 101x5 mm (4"x3/16")
- (c) Panel dimensions available on Door Panel Specs, Built-in Food Preservation Design Guide or Installation Manual

Dimensions in parentheses are millimeters unless otherwise specified.

b: depth includes kitchen cabinet front panel.

BUILT-IN FREEZER COLUMNS



60 cm (24") - 45 cm (18")
Panel Ready





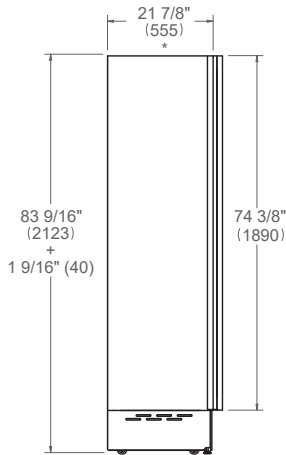
60 cm (24") Freezer Column Panel Ready

Dimensions

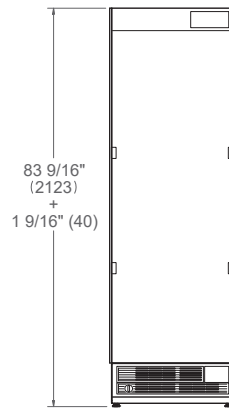


RFZ60S5FPNS

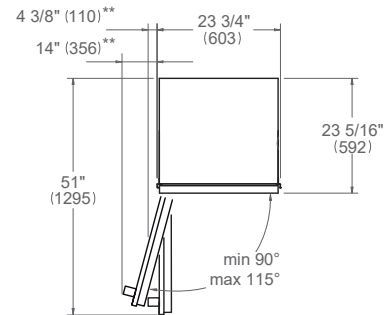
SIDE VIEW



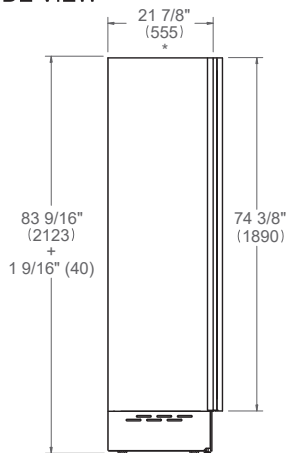
FRONT VIEW



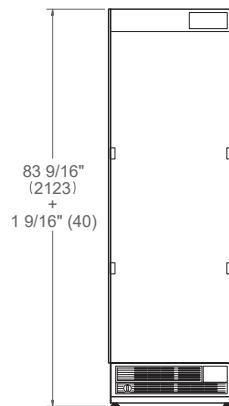
TOP VIEW



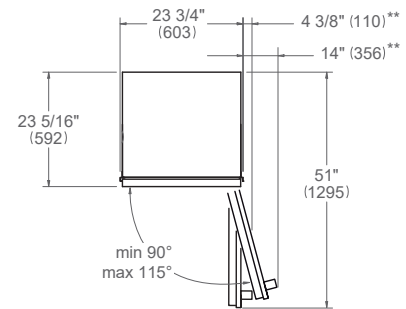
SIDE VIEW



FRONT VIEW



TOP VIEW



* Depth without door

** Maximum Overall Handle Dimension, 3/4" (19) Door Panel thickness

For custom panel dimensions see page 137

For detailed handle dimensions see page 139

Dimensions in parentheses are millimeters unless otherwise specified.

A matching stainless steel panel kit is available – SKU # SP24CX.

A matching Carbonio panel kit is available - SKU # SP24CC.

60 cm (24") Freezer Column Panel Ready

Installation requirements



INSTALLATION

All Bertazzoni columns can be installed in a standard 635 mm (25") depth cutout. Finish the edges of the opening because they may be visible when the door is open.

For a built-in installation, to cover gaps between the appliance and the adjacent cabinets, special side profiles are factory-installed and covering frames are provided with the product.

For panel ready columns, do not exceed the maximum weight of 30 kg (66 pounds) for door panel. Panels can have a thickness ranging between 19 mm (3/4") and 38 mm (1 1/2"). For a flush installation in 635 mm (25") deep cabinets, custom door panels should not be thicker than 24 mm (15/16").

For instructions of product combinations please see the Multiple Installation Section (page 112).

CABINET REQUIREMENT

Installation of the appliance must be performed in accordance with the provisions of applicable legislation.

Be sure that support of this appliance is perpendicular to the front facing of the wall or cabinet before you perform the installation.

The floor must be flat and must be capable of supporting the weight of the appliance when in use.

Required floor support	544 kg (1200 lb)
-------------------------------	------------------

ELECTRICAL REQUIREMENT

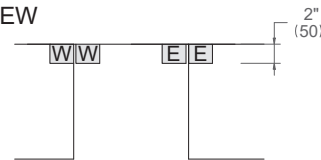
The installation must comply with all applicable electrical codes. A properly-grounded horizontally-mounted electrical receptacle should be installed.

Place the electrical supply flush with the back wall and within the shaded area shown in the illustrations.

Placement within the opening may require additional cabinet depth.

For detailed installation specifications consult the multiple installation requirements page or each single product installation manual.

TOP VIEW



FRONT VIEW



A separate circuit breaker servicing only this appliance is recommended.

Electrical supply	220-240 V 50/60 Hz 160 W 2 A
Service	15 Amp dedicated circuit
Power Connection	SHUCKO with 2,3 m power cord

PLUMBING REQUIREMENTS

Bertazzoni Freezer Columns are provided with a water filter assembly which must be mounted on the bottom part of the unit.

The appliance must be connected only to a potable water supply system.

To connect to water supply system (for appliances equipped with water dispenser), use a 6,4 mm (1/4") waterline with accessible shut-off valve.

The system pressure must be between from 1.7 bar to 5.5 bar (between 25 and 80 PSI). Different pressures can cause malfunctions or leaks in the water system.

For information on how to purchase the water filter, please see the product spec sheet.

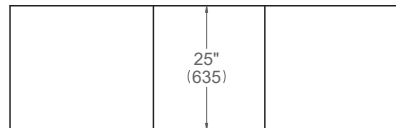
Dimensions in parentheses are millimeters unless otherwise specified.

60 cm (24") Freezer Column Panel Ready

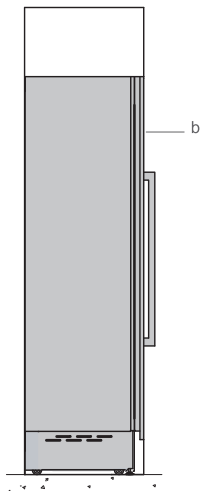
Flush installation



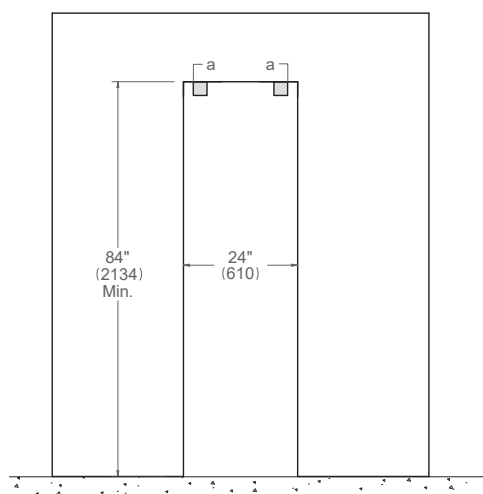
TOP VIEW^b



SIDE VIEW



FRONT VIEW



- (a) Anti-tipping brackets included with appliance – 101x5 mm (4"x3/16")
- (c) Panel dimensions available on Door Panel Specs, Built-in Food Preservation Design Guide or Installation Manual

Dimensions in parentheses are millimeters unless otherwise specified.

b: depth includes kitchen cabinet front panel.

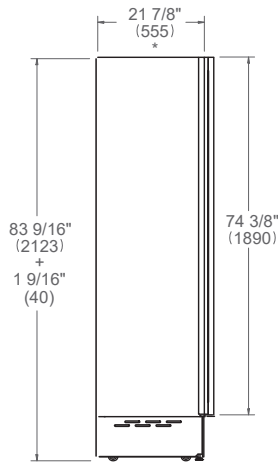
45 cm (18") Freezer Column Panel Ready

Dimensions

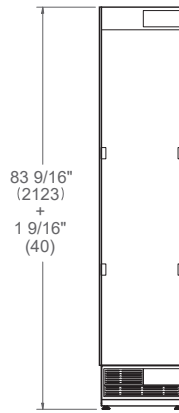


RFZ45S5FPLS left hinge

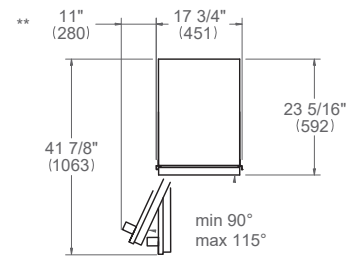
SIDE VIEW



FRONT VIEW



TOP VIEW



* Depth without door

** Maximum Overall Handle Dimension, 19 mm (3/4") Door Panel thickness

For custom panel dimensions see page 116

For detailed handle dimensions see page 118

Dimensions in parentheses are millimeters unless otherwise specified.

A matching stainless steel panel kit is available – SKU # SP18CX.

A matching Carbonio panel is available - SKU #SP18CC.

45 cm (18") Freezer Column Panel Ready

Installation requirements



INSTALLATION

All Bertazzoni columns can be installed in a standard 635 mm (25") depth cutout. Finish the edges of the opening because they may be visible when the door is open.

For a built-in installation, to cover gaps between the appliance and the adjacent cabinets, special side profiles are factory-installed and covering frames are provided with the product.

For panel ready columns, do not exceed the maximum weight of 30 kg (66 pounds) for door panel. Panels can have a thickness ranging between 19 mm (3/4") and 38 mm (1 1/2"). For a flush installation in 635 mm (25") deep cabinets, custom door panels should not be thicker than 24 mm (15/16").

For instructions of product combinations please see the Multiple Installation Section (page 112).

CABINET REQUIREMENT

Installation of the appliance must be performed in accordance with the provisions of applicable legislation.

Be sure that support of this appliance is perpendicular to the front facing of the wall or cabinet before you perform the installation.

The floor must be flat and must be capable of supporting the weight of the appliance when in use.

Required floor support	544 kg (1200 lb)
-------------------------------	------------------

ELECTRICAL REQUIREMENT

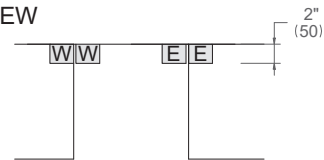
The installation must comply with all applicable electrical codes. A properly-grounded horizontally-mounted electrical receptacle should be installed.

Place the electrical supply flush with the back wall and within the shaded area shown in the illustrations.

Placement within the opening may require additional cabinet depth.

For detailed installation specifications consult the multiple installation requirements page or each single product installation manual.

TOP VIEW



FRONT VIEW



A separate circuit breaker servicing only this appliance is recommended.

Electrical supply	220-240 V 50/60 Hz 160 W 2 A
Service	15 Amp dedicated circuit
Power Connection	SHUCKO with 2,3 m power cord

PLUMBING REQUIREMENTS

Bertazzoni Freezer Columns are provided with a water filter assembly which must be mounted on the bottom part of the unit.

The appliance must be connected only to a potable water supply system.

To connect to water supply system (for appliances equipped with water dispenser), use a 6,4 mm (1/4") waterline with accessible shut-off valve.

The system pressure must be between from 1.7 bar to 5.5 bar (between 25 and 80 PSI). Different pressures can cause malfunctions or leaks in the water system.

For information on how to purchase the water filter, please see the product spec sheet.

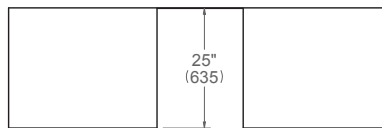
Dimensions in parentheses are millimeters unless otherwise specified.

45 cm (18") Freezer Column Panel Ready

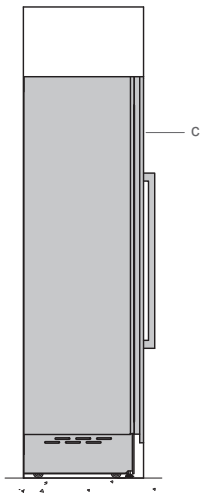
Flush installation



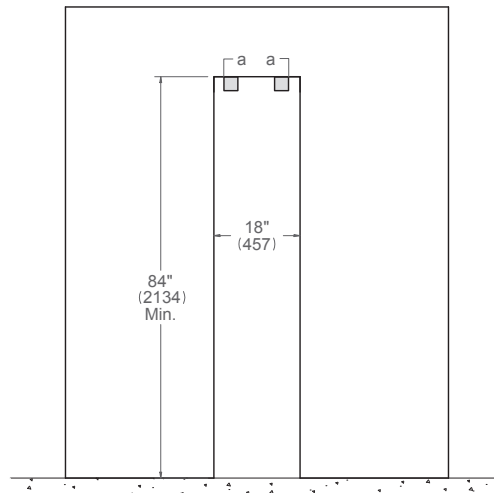
TOP VIEW^b



SIDE VIEW



FRONT VIEW



- (a) Anti-tipping brackets included with appliance – 101x5 mm (4"x3/16")
- (c) Panel dimensions available on Door Panel Specs, Built-in Food Preservation Design Guide or Installation Manual

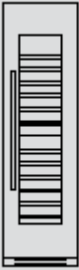
Dimensions in parentheses are millimeters unless otherwise specified.

b: depth includes kitchen cabinet front panel.

BUILT-IN WINE COLUMNS



60 cm (24") - 45 cm (18")
Panel Ready





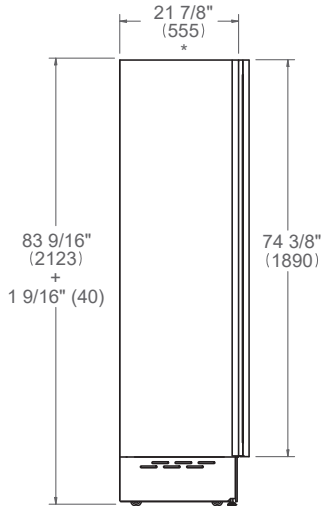
60 cm (24") Wine Column Panel Ready

Dimensions

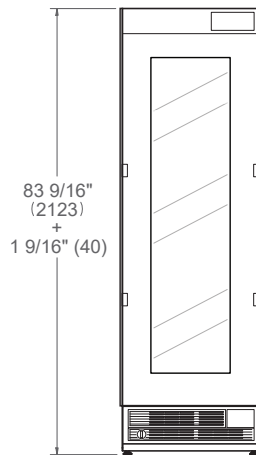


RWC60S5TPNS

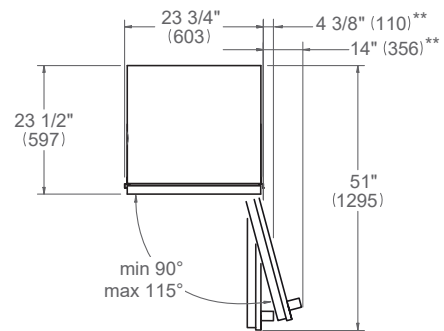
SIDE VIEW



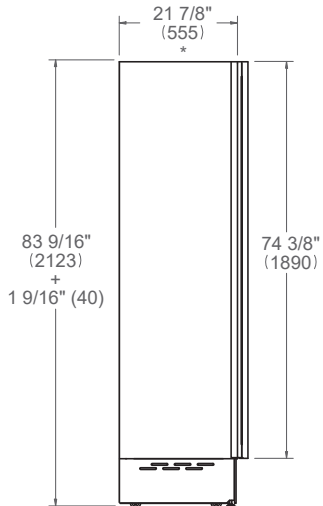
FRONT VIEW



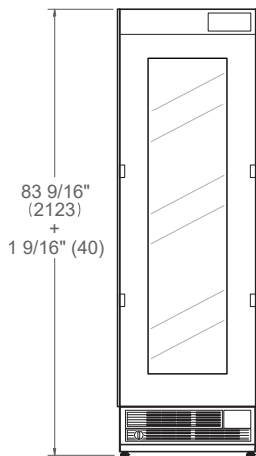
TOP VIEW



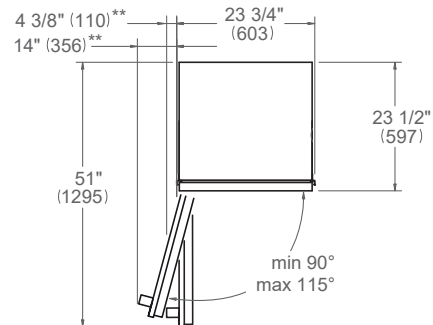
SIDE VIEW



FRONT VIEW



TOP VIEW



* Maximum Overall Handle Dimension

** 3/4" (19mm) Door Panel thickness

For custom panel dimensions see page 137

For detailed handle dimensions see page 139

Dimensions in parentheses are millimeters unless otherwise specified.

A matching stainless steel panel kit is available – SKU #SP24WXV.

A matching Carbonio panel kit is available - SKU # SP24WCC.

60 cm (24") Wine Column Panel Ready

Installation requirements



INSTALLATION

All Bertazzoni columns can be installed in a standard 25" depth cutout. Finish the edges of the opening because they may be visible when the door is open. For a built-in installation, to cover gaps between the appliance and the adjacent cabinets, special side profiles are factory-installed and covering frames are provided with the product. For panel ready columns, do not exceed the maximum weight of 66 pounds (30 kg) for door panel. Panels can have a thickness ranging between 3/4" (19 mm) and 1 1/2" (38 mm). For a flush installation in 25" deep cabinets, custom door panels should not be thicker than 3/4" (19 mm).

For instructions of product combinations please see the Multiple Installation Section (page 112).

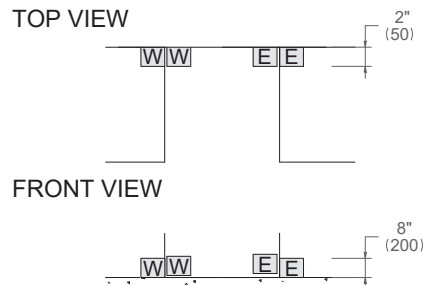
CABINET REQUIREMENT

Installation of the appliance must be performed in accordance with the provisions of applicable legislation. Be sure that support of this appliance is perpendicular to the front facing of the wall or cabinet before you perform the installation. The floor must be flat and must be capable of supporting the weight of the appliance when in use.

Required floor support	544 kg (1200 lb)
-------------------------------	------------------

ELECTRICAL REQUIREMENT

The installation must comply with all applicable electrical codes. A properly-grounded horizontally-mounted electrical receptacle should be installed. Place the electrical supply flush with the back wall and within the shaded area shown in the illustrations. Placement within the opening may require additional cabinet depth.



A separate circuit breaker servicing only this appliance is recommended.

Electrical supply	220-240 V 50/60 Hz 160 W 2 A
Service	15 Amp dedicated circuit
Power Connection	SHUCKO with 2,3 m power cord

For detailed installation specifications consult the multiple installation requirements page or each single product installation manual.

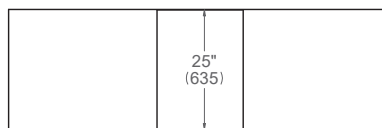
Dimensions in parentheses are millimeters unless otherwise specified.

60 cm (24") Wine Column Panel Ready

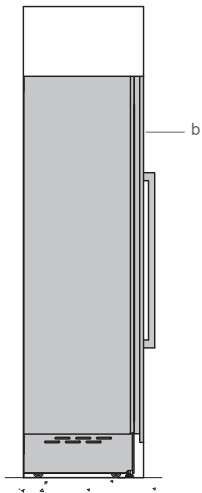
Flush installation



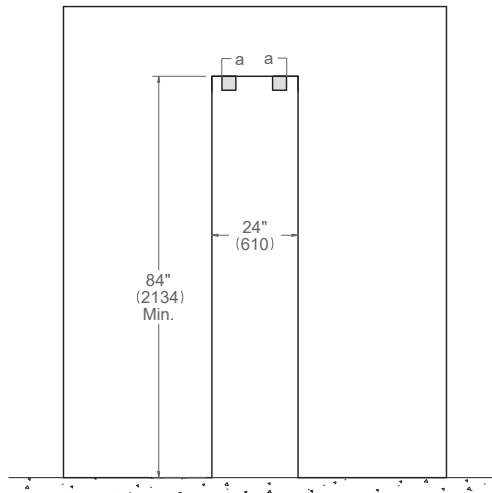
TOP VIEW^b



SIDE VIEW



FRONT VIEW



- (a) Anti-tipping brackets included with appliance – 101x5 mm (4"x3/16")
- (c) Panel dimensions available on Built-in Food Preservation Design Guide or Installation Manual

Dimensions in parentheses are millimeters unless otherwise specified.

b: depth includes kitchen cabinet front panel.

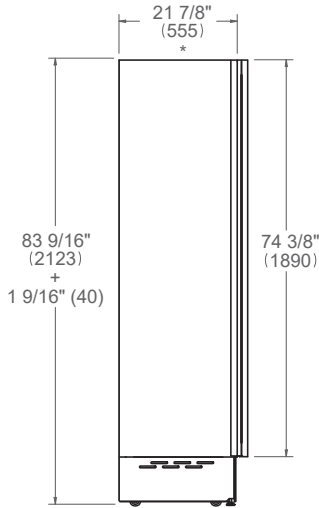
45 cm (18") Wine Column Panel Ready

Dimensions

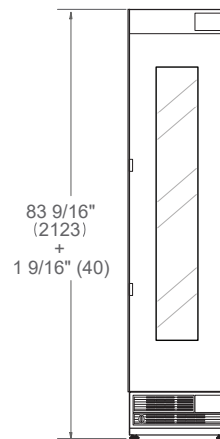


RWC45S5TPLS left hinge
RWC45S5TPRS right hinge

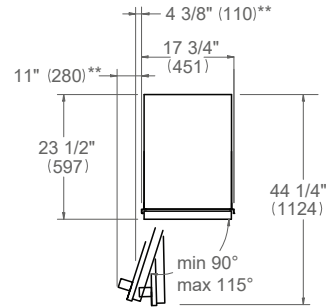
SIDE VIEW



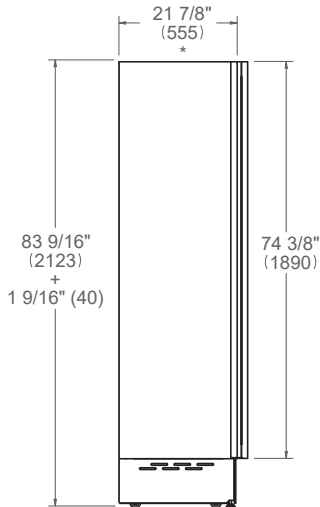
FRONT VIEW



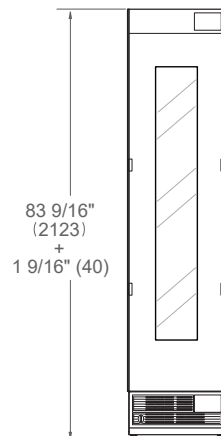
TOP VIEW



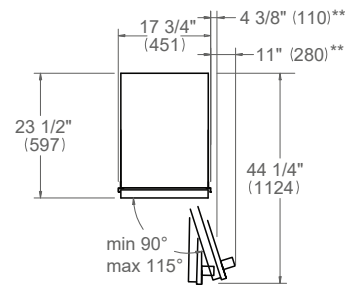
SIDE VIEW



FRONT VIEW



TOP VIEW



* Maximum Overall Handle Dimension
** 19mm (3/4") Door Panel thickness
For custom panel dimensions see page 137
For detailed handle dimensions see page 139

Dimensions in parentheses are millimeters unless otherwise specified.
A matching stainless steel panel kit is available – SKU #SP18WXV.
A matching Carbonio panel kit is available - SKU # SP18WCC.

45 cm (18") Wine Column Panel Ready

Installation requirements



INSTALLATION

All Bertazzoni columns can be installed in a standard 25" depth cutout.

Finish the edges of the opening because they may be visible when the door is open.

For a built-in installation, to cover gaps between the appliance and the adjacent cabinets, special side profiles are factory-installed and covering frames are provided with the product.

For panel ready columns, do not exceed the maximum weight of 66 pounds (30 kg) for door panel. Panels can have a thickness ranging between 3/4" (19 mm) and 1 1/2" (38 mm). For a flush installation in 25" deep cabinets, custom door panels should not be thicker than 3/4" (19 mm).

For instructions of product combinations please see the Multiple Installation Section (page 59).

CABINET REQUIREMENT

Installation of the appliance must be performed in accordance with the provisions of applicable legislation.

Be sure that support of this appliance is perpendicular to the front facing of the wall or cabinet before you perform the installation.

The floor must be flat and must be capable of supporting the weight of the appliance when in use.

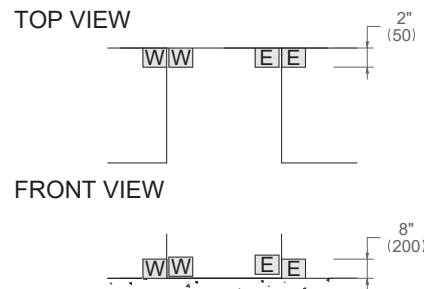
Required floor support	544 kg (1200 lb)
-------------------------------	------------------

ELECTRICAL REQUIREMENT

The installation must comply with all applicable electrical codes. A properly-grounded horizontally-mounted electrical receptacle should be installed.

Place the electrical supply flush with the back wall and within the shaded area shown in the illustrations.

Placement within the opening may require additional cabinet depth.



A separate circuit breaker servicing only this appliance is recommended.

Electrical supply	220-240 V 50/60 Hz 160 W 2 A
Service	15 Amp dedicated circuit
Power Connection	SHUCKO with 2,3 m power cord

For detailed installation specifications consult the multiple installation requirements page or each single product installation manual.

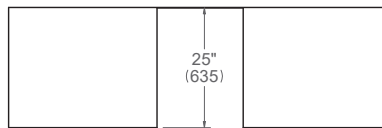
Dimensions in parentheses are millimeters unless otherwise specified.

45 cm (18") Wine Column Panel Ready

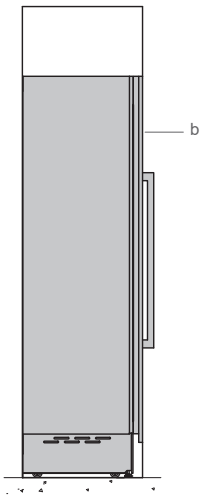
Flush installation



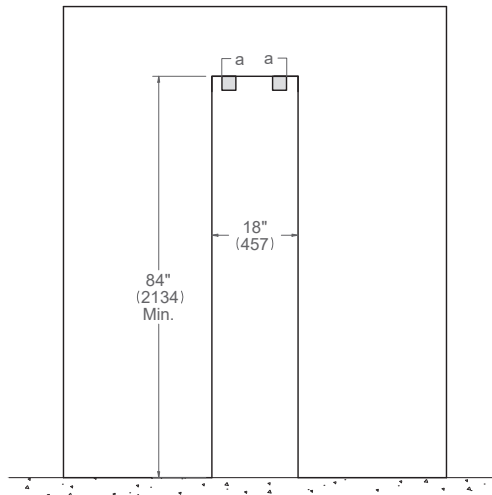
TOP VIEW^b



SIDE VIEW



FRONT VIEW



(a) Anti-tipping brackets included with appliance – 101x5 mm (4"x3/16")

(c) Panel dimensions available on Built-in Food Preservation Design Guide or Installation Manual

Dimensions in parentheses are millimeters unless otherwise specified.

b: depth includes kitchen cabinet front panel.

COLUMNS MULTIPLE INSTALLATIONS





Multiple installations

Installation requirements



INSTALLATION

All Bertazzoni columns can be installed in a standard 635 mm (25") depth cutout. Finish the edges of the opening because they may be visible when the door is open.

For a built-in installation, to cover gaps between the appliances and the adjacent cabinets, special side profiles are factory-installed and covering frames are provided with the product.

For panel ready columns, do not exceed the maximum weight of 30 kg (66 pounds) for door panel. Panels can have a thickness ranging between 19 mm (3/4") and 38 mm (1 1/2"). For a flush installation in 635 mm (25") deep cabinets, custom door panels should not be thicker than 24 mm (15/16").

For instructions of product combinations please see the Multiple Installation Section (page 112).

CABINET REQUIREMENT

Installation of the appliances must be performed in accordance with the provisions of applicable legislation.

Be sure that support of these appliances is perpendicular to the front facing of the wall or cabinet before you perform the installation.

The floor must be flat and must be capable of supporting the weight of all the appliances when in use. Please see any single product installation manual for required floor support.

ELECTRICAL REQUIREMENT

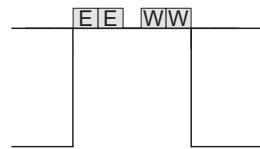
The installation must comply with all applicable electrical codes. A properly-grounded horizontally-mounted electrical receptacle should be installed.

Place the electrical supply flush with the back wall and within the shaded area shown in the illustrations.

Placement within the opening may require additional cabinet depth.

For detailed installation specifications consult the multiple installation requirements page or each single product installation manual.

TOP VIEW



FRONT VIEW



A separate 15 Amp circuit breaker servicing only these appliances is recommended.

PLUMBING REQUIREMENTS

Bertazzoni Refrigerator and Freezer Columns are provided with a water filter assembly which must be mounted on the bottom part of the unit.

The appliances must be connected only to a potable water supply system.

To connect to water supply system (for appliances equipped with water dispenser), use a 6,4 mm (1/4") waterline with accessible shut-off valve.

The system pressure must be between from 1.7 bar to 5.5 bar (between 25 and 80 PSI). Different pressures can cause malfunctions or leaks in the water system.

For information on how to purchase the water filter, please see the product spec sheet.

Dimensions in parentheses are millimeters unless otherwise specified.

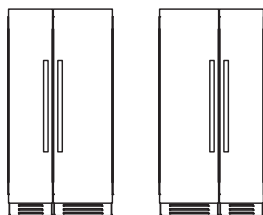
105 cm (42") Double Configurations

Flush installation

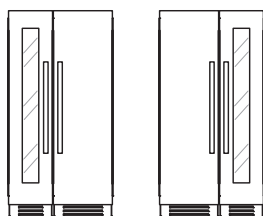


POSSIBLE COMBINATIONS ^c

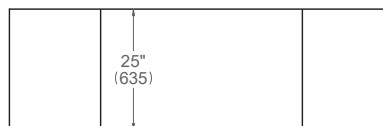
RLD60S5FPNS
RFZ45S5FPLS



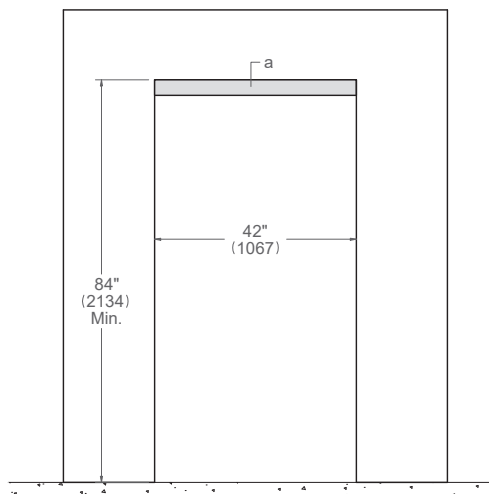
RLD60S5FPNS
RWC45S5TP(L/R)S



TOP VIEW ^b



FRONT VIEW



a: Anti-tipping brackets included with appliance – 1067x5 mm (42"x3/16")

b: Depth includes kitchen cabinet front panel.

Dimensions in parentheses are millimeters unless otherwise specified.

All Freezer Columns are supplied with a vertical connector trim for multiple columns installations.

No additional accessories are needed.

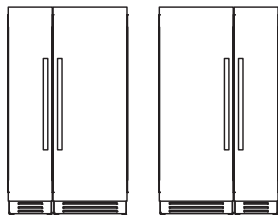
120 cm (48") Double Configurations

Flush installation

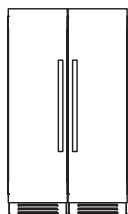


POSSIBLE COMBINATIONS

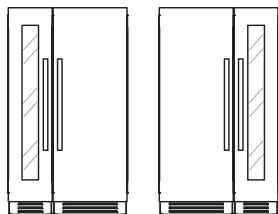
RLD75S5FPNS
RFZ45S5FPLS



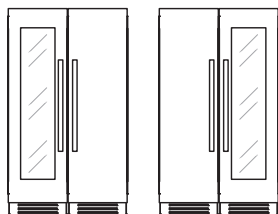
RLD60S5FPNS
RFZ60S5FPNS



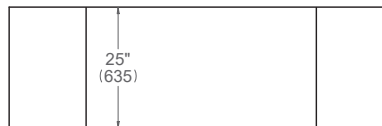
RLD75S5FPNS
RWC45S5TP(L/R)S



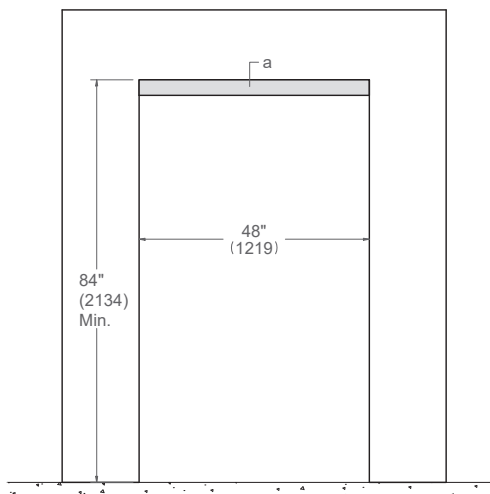
RLD60S5FPNS
RWC60S5TPNS



TOP VIEW^b



FRONT VIEW



a: Anti-tipping brackets included with appliance – 1200x4.8 mm (48"x3/16")

b: Depth includes kitchen cabinet front panel

Dimensions in parentheses are millimeters unless otherwise specified.

All Freezer Columns are supplied with a vertical connector trim for multiple columns installations.

No additional accessories are needed.

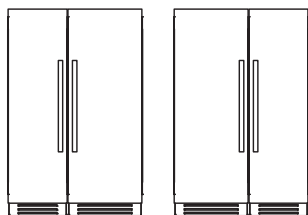
135 cm (54") Double Configurations

Flush installation

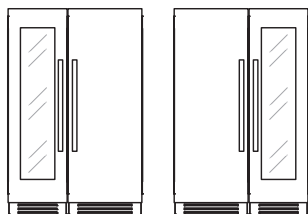


POSSIBLE COMBINATIONS

RLD75S5FPNS
RFZ60S5FPNS



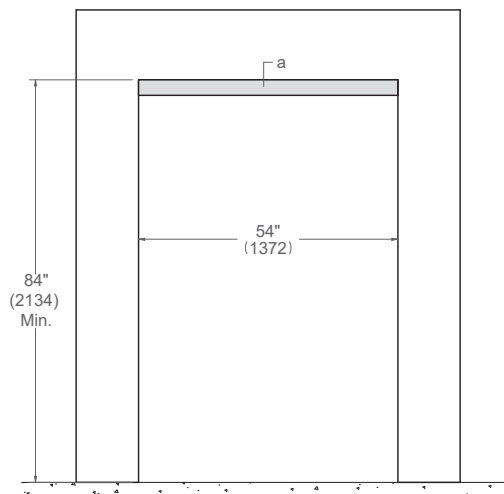
RLD75S5FPNS
RWC60S5TPNS



TOP VIEW^b



FRONT VIEW



a: Anti-tipping brackets included with appliance – 1372x5 mm (54"x3/16")

b: Depth includes kitchen cabinet front panel.

Dimensions in parentheses are millimeters unless otherwise specified.

All Freezer and Wine Columns are supplied with a vertical connector trim for multiple columns installations. No additional accessories are needed.

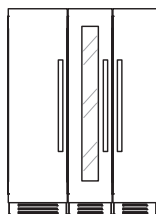
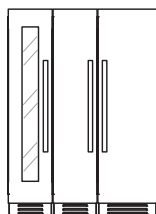
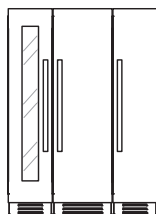
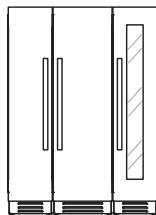
150 cm (60") Triple Configurations

Flush installation



POSSIBLE COMBINATIONS

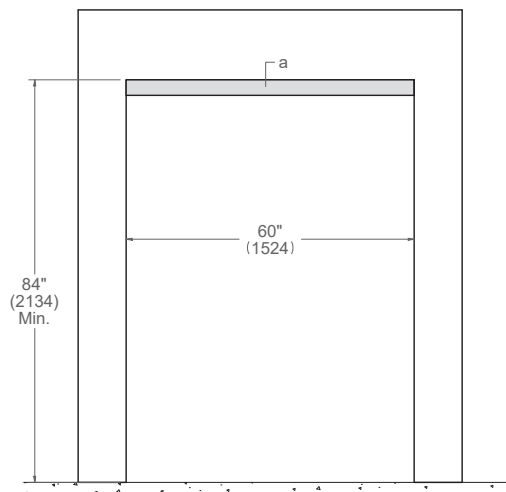
RLD60S5FPNS
RFZ45S5FPLS
RWC45S5TP(L/R)S



TOP VIEW^b



FRONT VIEW



a: Anti-tipping brackets included with appliance – 1524x5 mm (60"x3/16")

b: Depth includes kitchen cabinet front panel.

Dimensions in parentheses are millimeters unless otherwise specified.

All Freezer and Wine Columns are supplied with a vertical connector trim for multiple columns installations. No additional accessories are needed.

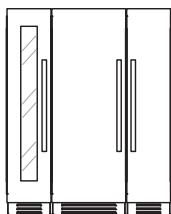
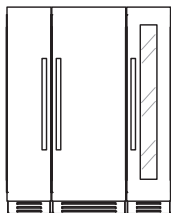
165 cm (66") Triple Configurations

Flush installation

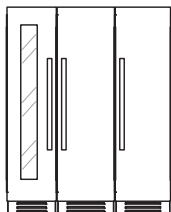


POSSIBLE COMBINATIONS

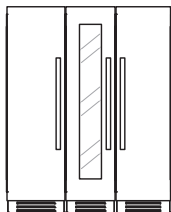
RLD75S5FPNS
RFZ45S5FPLS
RWC45S5TP(L/R)S



RLD60S5FPNS
RFZ60S5FPNS
RWC45S5TP(L/R)S



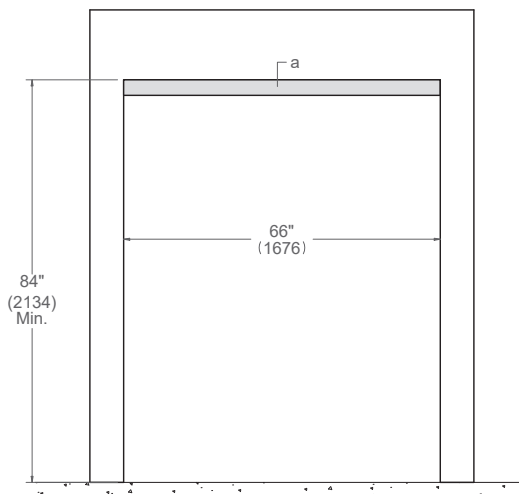
RLD60S5FPNS
RFZ45S5FPLS
RWC60S5TPNS



TOP VIEW^b



FRONT VIEW



a: Anti-tipping brackets included with appliance – 1676x5 mm (66"x3/16")

b: Depth includes kitchen cabinet front panel.

Dimensions in parentheses are millimeters unless otherwise specified.

All Freezer and Wine Columns are supplied with a vertical connector trim for multiple columns installations. No additional accessories are needed.

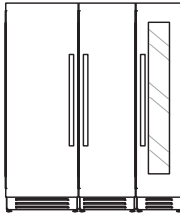
180 cm (72") Triple Configurations

Flush installation

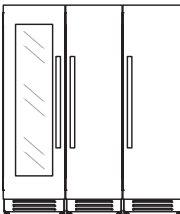
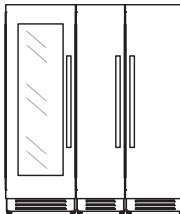


POSSIBLE COMBINATIONS

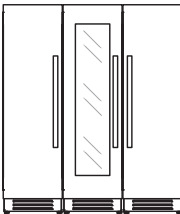
RLD75S5FPNS
RFZ60S5FPNS
RWC45S5TP(L/R)S



RLD75S5FPNS
RFZ45S5FPLS
RWC60S5TPNS



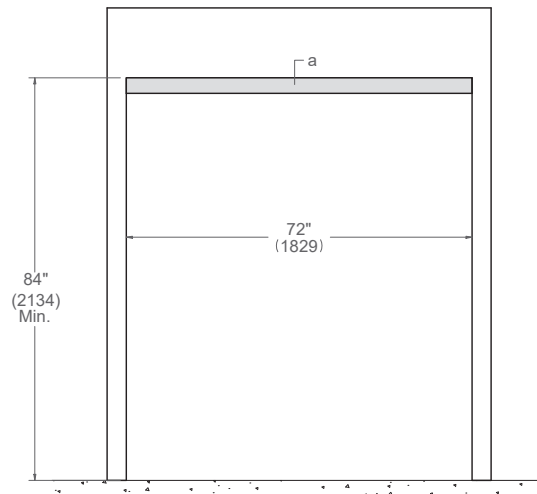
RLD60S5FPNS
RFZ60S5FPNS
RWC60S5TPNS



TOP VIEW^b



FRONT VIEW



a: Anti-tipping brackets included with appliance – 1829x5 mm (72"x3/16")

b: Depth includes kitchen cabinet front panel.

Dimensions in parentheses are millimeters unless otherwise specified.

All Freezer and Wine Columns are supplied with a vertical connector trim for multiple columns installations. No additional accessories are needed.

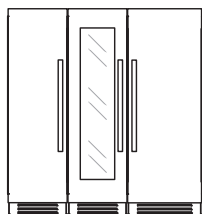
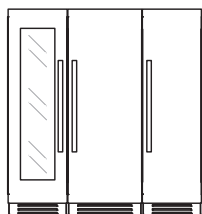
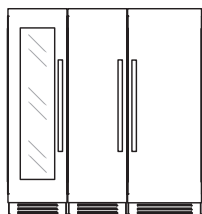
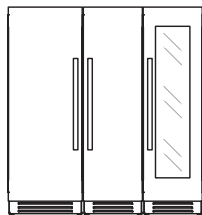
195 cm (78") Triple Configurations

Flush installation



POSSIBLE COMBINATIONS

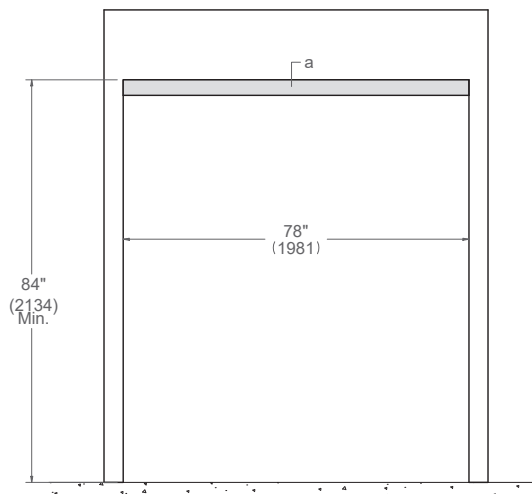
RLD75S5FPNS
RFZ60S5FPNS
RWC60S5TPNS



TOP VIEW^b



FRONT VIEW



a: Anti-tipping brackets included with appliance – 1961x5 mm (78"x3/16")

b: Depth includes kitchen cabinet front panel.

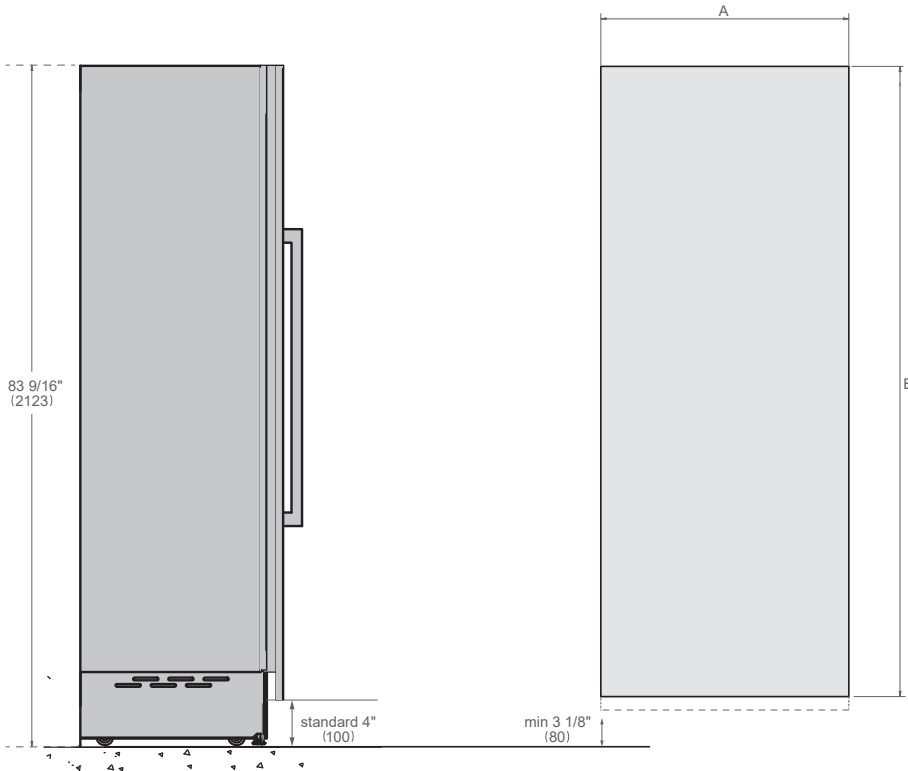
Dimensions in parentheses are millimeters unless otherwise specified.

All Freezer and Wine Columns are supplied with a vertical connector trim for multiple columns installations. No additional accessories are needed.

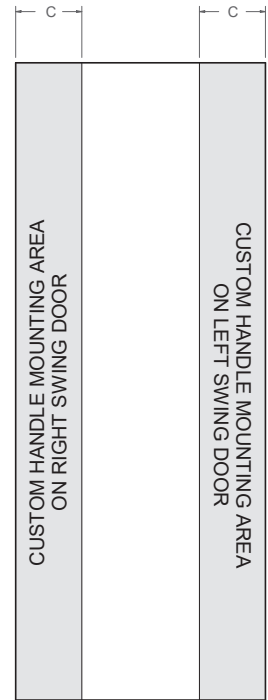
Custom Door Panel



COLUMNS REAR PANEL DRILLING



CUSTOM HANDLES MOUNTING AREA



The drilling templates for the panels are included in the refrigerator packaging.

	75 cm (30")	60 cm (24")	45 cm (18")
A	756 mm (29 3/4")	603 mm (23 3/4")	451 mm (17 3/4")
B	2030 mm (79 15/16")	2030 mm (79 15/16")	2030 mm (79 15/16")
C	152 mm (6")	121 mm (4 3/4")	92 mm (3 5/8")

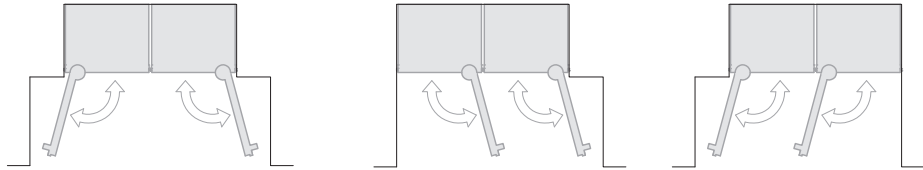
Dimensions in parentheses are millimeters unless otherwise specified.

Minimum gap between custom door panels and adjacent cabinetry is 3 mm (1/8").

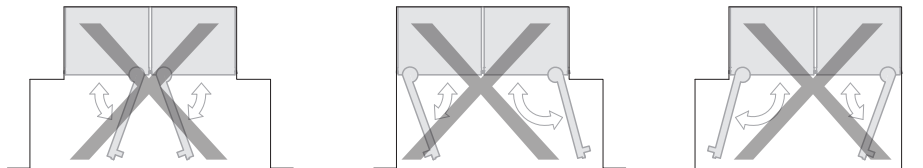
Recommended Installations



RECOMMENDED INSTALLATIONS



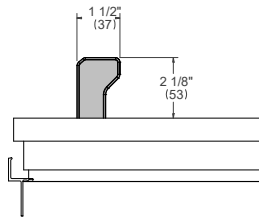
NOT RECOMMENDED INSTALLATIONS



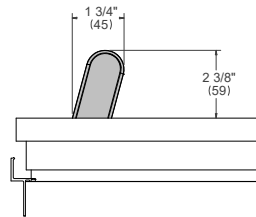
Refrigeration Handles



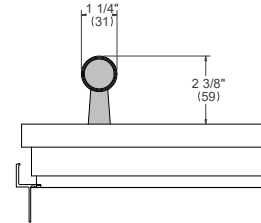
**PROFESSIONAL SERIES
PROHKCOL
PROHKCOLT**



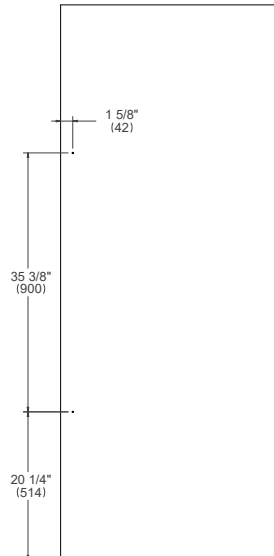
**MASTER SERIES
MASHKCOL**



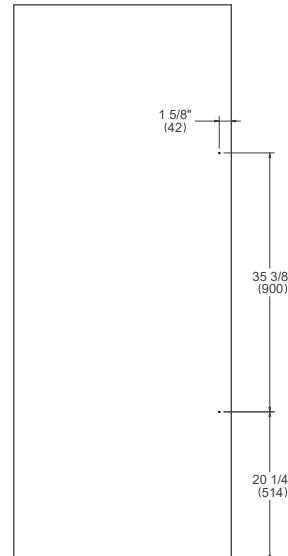
**HERITAGE SERIES
HERHKCOL**



**BERTAZZONI HANDLES
DRILLING ON RIGHT SWING DOOR**



**BERTAZZONI HANDLES
DRILLING ON LEFT SWING DOOR**



HANDLE INSTALLATION ON CUSTOM PANELS

In case a custom panel is to be mounted on any of the models listed below with Bertazzoni handles, it will be necessary to install M5 x 0.8 mm brass tapping inserts in order to secure the handle properly on the custom panel. Recommended drill bit size to drill the pilot hole is 9,5 mm (3/8").

Do not use a power tool to mount the inserts. Installation of the inserts with improperly calibrated power tools risk damaging the panels.

Dimensions in parentheses are millimeters unless otherwise specified.

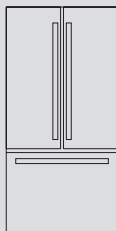
BUILT-IN BOTTOM MOUNT AND FRENCH DOOR REFRIGERATORS



Experience the perfect combination of design and technology with Bertazzoni's Premium tier refrigerators. These masterpieces of style reflect our meticulous attention to detail and are designed to retain your food's nutritional value, vitamins, minerals, and texture for longer.

With a true flush installation in a standard depth cabinet and reversible panel-ready doors, they seamlessly integrate with any adjacent cabinetry. You can even install them side-by-side with CTXV connection kit, doubling your refrigerator space. Customize your refrigerators with optional stainless panels and Professional, Master, or Heritage Series handles to match your other kitchen appliances. Our 90 cm (36") and 75 cm (30") bottom-mount models and 90 cm (36") French door refrigerator feature Hettich hinges that allow a minimal vertical gap of 3 mm (1/8") between adjacent front cabinet panels, creating clean lines in your kitchen.

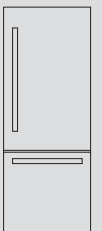
90 cm (36")
French Door



90 cm (36")
Panel Ready



75 cm (30")
Panel Ready





90 cm (36") French Door Bottom Mount Panel Ready

Dimensions



RFD90S5FPNS/24

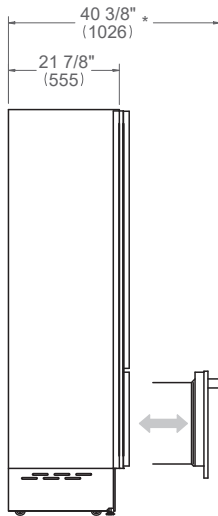
Handle choices

Professional Series: HK36PROFDBXV

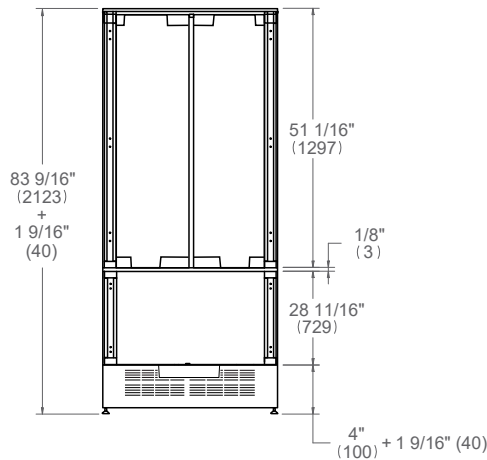
Master series: HK36MASFDBXV

Heritage Series: HK36HERFDBXV

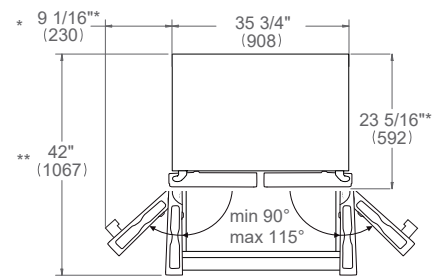
SIDE VIEW



FRONT VIEW



TOP VIEW



* Maximum Overall Handle Dimension

** 19 mm (3/4") Door Panel thickness

For custom panel dimensions see page 136

For detailed handle dimensions see page 138

Dimensions in parentheses are millimeters unless otherwise specified.
A matching stainless steel panel kit is available - SKU # SP36FDX/24.
A matching Carbonio panel kit is available - SKU # SP36FDCV

90 cm (36") French Door Bottom Mount Panel Ready

Installation requirements



CABINET REQUIREMENT

Installation of the appliance must be performed in accordance with the provisions of applicable legislation.

Be sure that support of this appliance is perpendicular to the front facing of the wall or cabinet before you perform the installation.

The floor must be flat and must be capable of supporting the weight of the appliance when in use.

Required floor support	544 kg (1200 lb)
-------------------------------	------------------

For panel ready french door refrigerator, do not exceed the maximum weight of 20 kg (44 pounds) for door panels and 9 kg (20 pounds) for drawer panel.

Panels can have a thickness of 19 mm (3/4"). For a flush installation in 635 mm (25") deep cabinets, custom door panels should not be thicker than 19 mm (3/4").

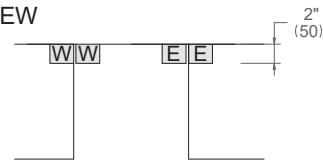
ELECTRICAL REQUIREMENT

The installation must comply with all applicable electrical codes. A properly-grounded horizontally-mounted electrical receptacle should be installed.

Place the electrical supply flush with the back wall and within the shaded area shown in the illustrations.

Placement within the opening may require additional cabinet depth.

TOP VIEW



FRONT VIEW



A separate circuit breaker servicing only this appliance is recommended.

Electrical supply	220-240 V 50/60 Hz 120 W 3 A
Service	15 Amp dedicated circuit
Power Connection	SHUCKO with 2,3 m power cord

PLUMBING REQUIREMENT

Bertazzoni Bottom Mount refrigerators are provided with a water filter assembly which must be mounted inside the unit.

The appliance must be connected only to a potable water supply system.

To connect to water supply system (for appliances equipped with ice maker) a 6,4 mm (1/4") waterline with accessible shut-off valve must be supplied.

The solenoid connection on the appliance is 19 mm (3/4") diameter but is metric threaded (NPT).

The system pressure must be between from 1.7 to 5.5 bar (between 25 and 80 PSI). Different pressures can cause malfunctions or leaks in the water system.

For detailed installation specifications consult the multiple installation requirements page or each single product installation manual.

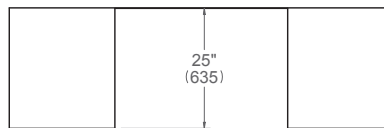
Dimensions in parentheses are millimeters unless otherwise specified.

90 cm (36") French Door Bottom Mount Panel Ready

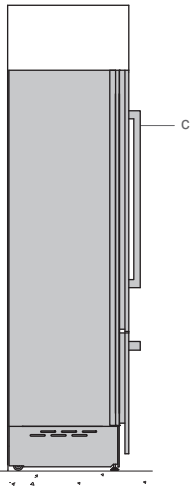
Flush installation



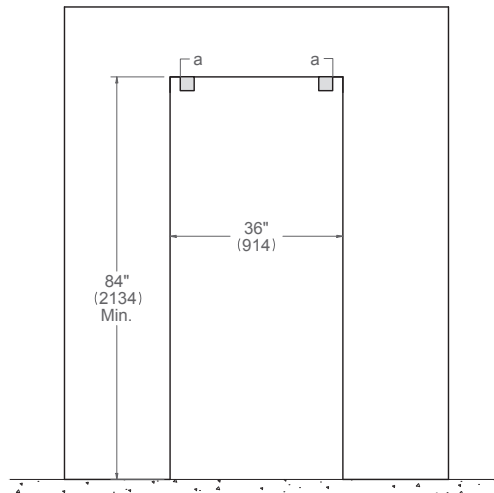
TOP VIEW^b



SIDE VIEW



FRONT VIEW



(a) Anti-tipping brackets included with appliance – 101x5 mm (4"x3/16")

(c) Panel dimensions available on Door Panel Specs, Built-in Food Preservation Design Guide or Installation Manual

Dimensions in parentheses are millimeters unless otherwise specified.

b: depth includes kitchen cabinet front panel.

90 cm (36") Bottom Mount Panel Ready

Dimensions



RBM90S5FPNS reversible hinge

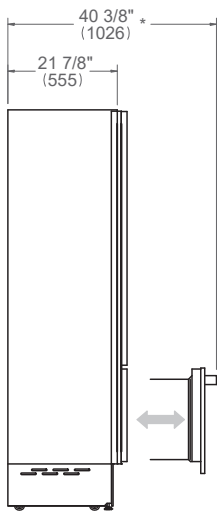
Handle choices

Professional Series: PROHK36PI

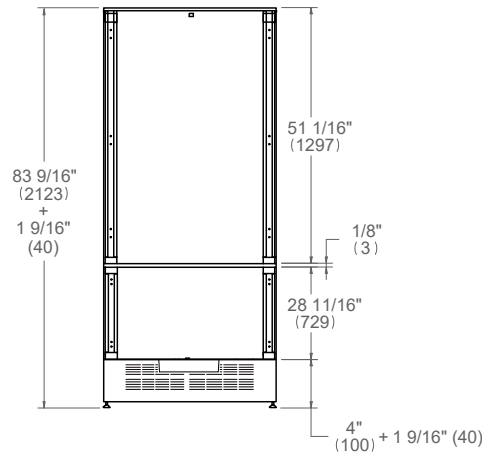
Master series: MASHK36PI

Heritage Series: HERHK36PI

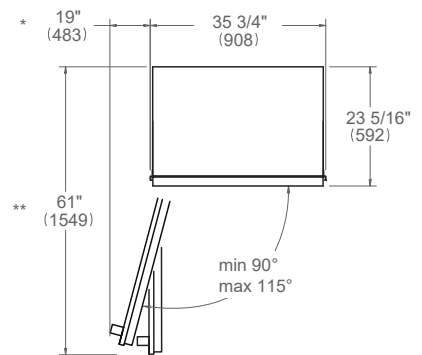
SIDE VIEW



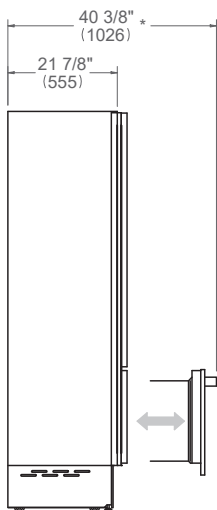
FRONT VIEW



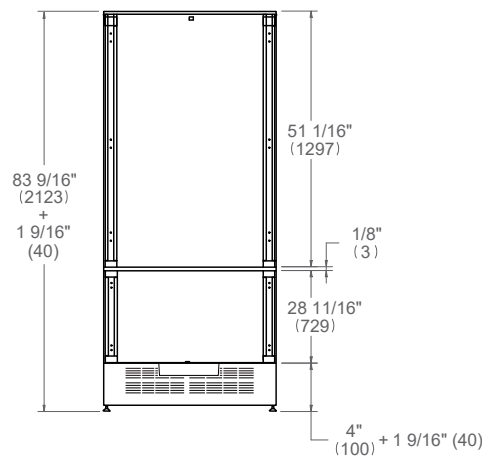
TOP VIEW



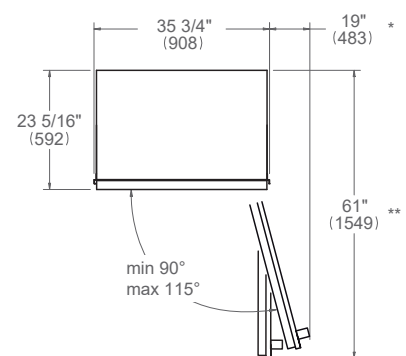
SIDE VIEW



FRONT VIEW



TOP VIEW



* Maximum Overall Handle Dimension

** 24 mm (15/16") Door Panel thickness

For custom panel dimensions see page 137

For detailed handle dimensions see page 138

Dimensions in parentheses are millimeters unless otherwise specified.

A matching stainless steel panel kit is available - SKU # SP36BMX.

90 cm (36") Bottom Mount Panel Ready

Installation requirements



CABINET REQUIREMENT

Installation of the appliance must be performed in accordance with the provisions of applicable legislation.

Be sure that support of this appliance is perpendicular to the front facing of the wall or cabinet before you perform the installation.

The floor must be flat and must be capable of supporting the weight of the appliance when in use.

Required floor support	544 kg (1200 lb)
-------------------------------	------------------

For panel ready bottom mount refrigerator, do not exceed the maximum weight of 16 kg (35 pounds) for door panel and 9 kg (20 pounds) for drawer panel.

Panels can have a thickness ranging between 19 mm (3/4") and 38 mm (1 1/2"). For a flush installation in 635 mm (25") deep cabinets, custom door panels should not be thicker than 24 mm (15/16").

ELECTRICAL REQUIREMENT

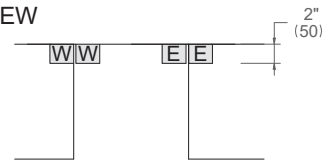
The installation must comply with all applicable electrical codes. A properly-grounded horizontally-mounted electrical receptacle should be installed.

Place the electrical supply flush with the back wall and within the shaded area shown in the illustrations.

Placement within the opening may require additional cabinet depth.

For detailed installation specifications consult the multiple installation requirements page or each single product installation manual.

TOP VIEW



FRONT VIEW



A separate circuit breaker servicing only this appliance is recommended.

Electrical supply	220-240 V 50/60 Hz 120 W 3 A
Service	15 Amp dedicated circuit
Power Connection	SHUCKO with 2,3 m power cord

PLUMBING REQUIREMENT

Bertazzoni Bottom Mount refrigerators are provided with a water filter assembly which must be mounted inside the unit.

The appliance must be connected only to a potable water supply system.

To connect to water supply system (for appliances equipped with ice maker) a 6,4 mm (1/4") waterline with accessible shut-off valve must be supplied.

The solenoid connection on the appliance is 19 mm (3/4") diameter but is metric threaded (NPT).

The system pressure must be between from 1.7 to 5.5 bar (between 25 and 80 PSI). Different pressures can cause malfunctions or leaks in the water system.

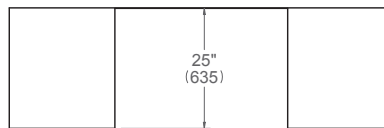
Dimensions in parentheses are millimeters unless otherwise specified.

90 cm (36") Bottom Mount Panel Ready

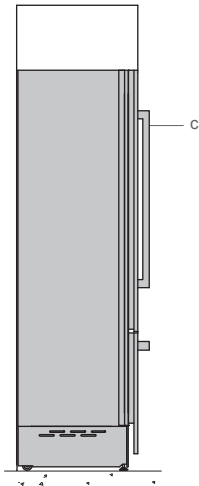
Flush installation



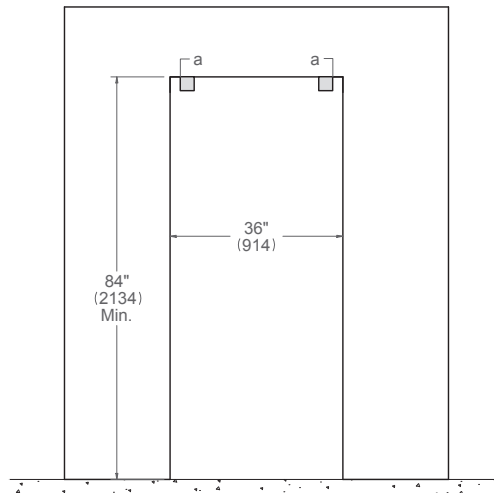
TOP VIEW^b



SIDE VIEW



FRONT VIEW



- (a) Anti-tipping brackets included with appliance – 101x5 mm (4"x3/16")
- (c) Panel dimensions available on Door Panel Specs, Built-in Food Preservation Design Guide or Installation Manual

Dimensions in parentheses are millimeters unless otherwise specified.

75 cm (30") Bottom Mount Panel Ready

Dimensions



RBM75S5FPNS reversible hinge

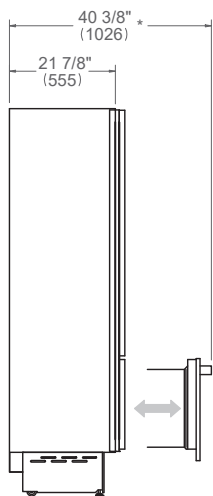
Handle choices

Professional Series: PROHK30PI

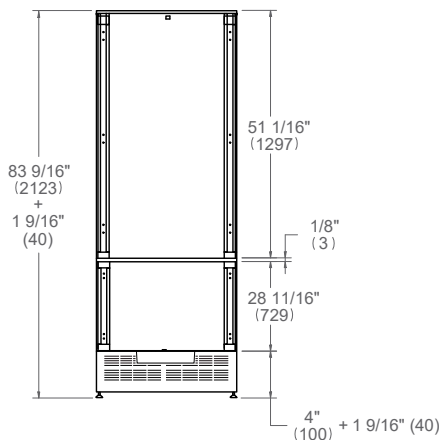
Master series: MASHK30PI

Heritage Series: HERHK30PI

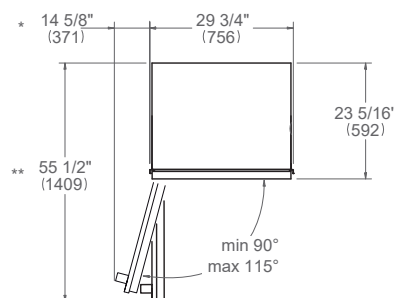
SIDE VIEW



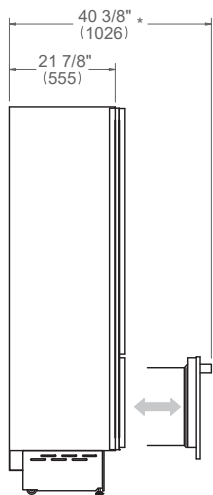
FRONT VIEW



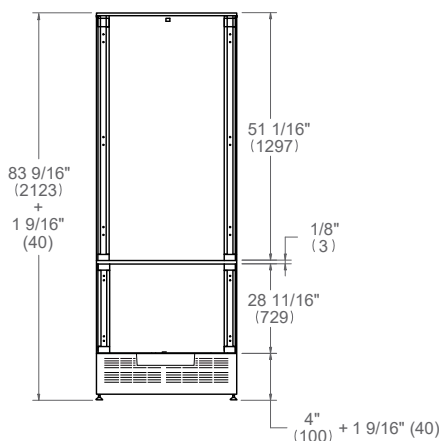
TOP VIEW



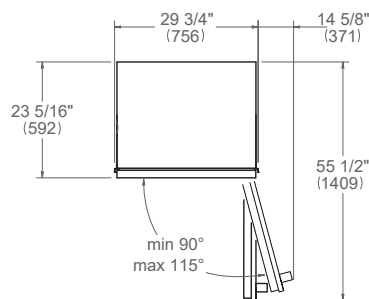
SIDE VIEW



FRONT VIEW



TOP VIEW



* Maximum Overall Handle Dimension
 ** 24 mm (15/16") Door Panel thickness
 For custom panel dimensions see page 137
 For detailed handle dimensions see page 138

Dimensions in parentheses are millimeters unless otherwise specified.
 A matching stainless steel panel kit is available - SKU # SP30BMX.

75 cm (30") Bottom Mount Panel Ready

Installation requirements



CABINET REQUIREMENT

Installation of the appliance must be performed in accordance with the provisions of applicable legislation.

Be sure that support of this appliance is perpendicular to the front facing of the wall or cabinet before you perform the installation.

The floor must be flat and must be capable of supporting the weight of the appliance when in use.

Required floor support	544 kg (1200 lb)
-------------------------------	------------------

For panel ready combi bottom mount, do not exceed the maximum weight of 16 kg (35 pounds) for door panel and 9 kg (20 pounds) for drawer panel.

For a flush installation, cabinet panels should not be thicker than 24 mm (15/16").

ELECTRICAL REQUIREMENT

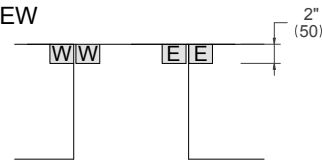
The installation must comply with all applicable electrical codes. A properly-grounded horizontally-mounted electrical receptacle should be installed.

Place the electrical supply flush with the back wall and within the shaded area shown in the illustrations.

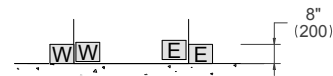
Placement within the opening may require additional cabinet depth.

For detailed installation specifications consult the multiple installation requirements page or each single product installation manual.

TOP VIEW



FRONT VIEW



A separate circuit breaker servicing only this appliance is recommended.

Electrical supply	220-240 V 50/60 Hz 120 W 3 A
Service	15 Amp dedicated circuit
Power Connection	SHUCKO with 2,3 m power cord

PLUMBING REQUIREMENT

Bertazzoni Bottom Mount refrigerators are provided with a water filter assembly which must be mounted inside the unit. The appliance must be connected only to a potable water supply system.

To connect to water supply system (for appliances equipped with ice maker) a 6,4 mm (1/4") waterline with accessible shut-off valve must be supplied.

The solenoid connection on the appliance is 19 mm (3/4") diameter but is metric threaded (NPT).

The system pressure must be between from 1.7 to 5.5 bar (between 25 and 80 PSI). Different pressures can cause malfunctions or leaks in the water system.

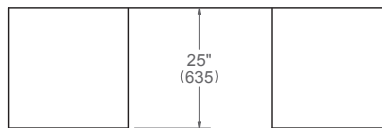
Dimensions in parentheses are millimeters unless otherwise specified.

75 cm (30") Bottom Mount Panel Ready

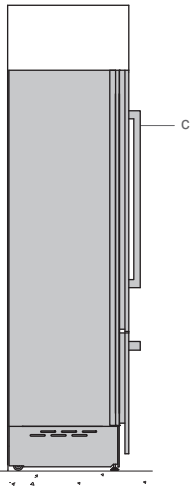
Flush installation



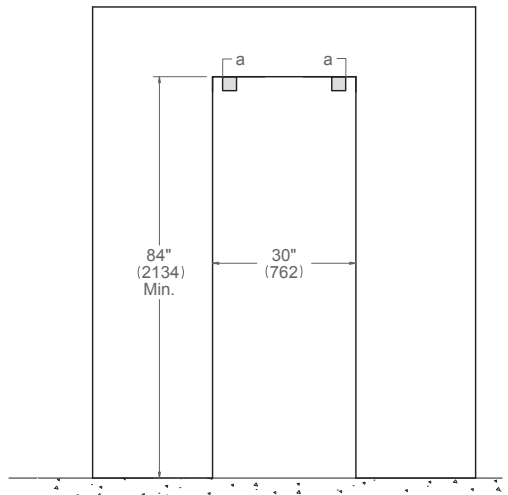
TOP VIEW^b



SIDE VIEW



FRONT VIEW



- (a) Anti-tipping brackets included with appliance – 101x5 mm (4"x3/16")
- (c) Panel dimensions available on Door Panel Specs, Built-in Food Preservation Design Guide or Installation Manual

Dimensions in parentheses are millimeters unless otherwise specified.

b: depth includes kitchen cabinet front panel.

BOTTOM MOUNTS MULTIPLE INSTALLATIONS





Bottom Mount Multiple installations

Installation requirements



CABINET REQUIREMENT

Installation of the appliance must be performed in accordance with the provisions of applicable legislation.

Be sure that support of this appliance is perpendicular to the front facing of the wall or cabinet before you perform the installation.

The floor must be flat and must be capable of supporting the weight of the appliance when in use.

For panel ready bottom mount, do not exceed the maximum weight of 16/20 kg (35/44 pounds) for door panel/s and 9 kg (20 pounds) for drawer panel.

Panels can have a thickness ranging between 19 mm (3/4") and 38 mm (1 1/2"). For a flush installation in 635 mm (25") deep cabinets, custom door panels should not be thicker than 24 mm (15/16").

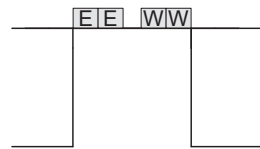
ELECTRICAL REQUIREMENT

The installation must comply with all applicable electrical codes. A properly-grounded horizontally-mounted electrical receptacle should be installed.

Place the electrical supply flush with the back wall and within the shaded area shown in the illustrations.

Placement within the opening may require additional cabinet depth.

TOP VIEW



FRONT VIEW



A separate circuit breaker servicing only these appliances is recommended.

PLUMBING REQUIREMENT

The appliances must be connected only to a potable water supply system.

To connect to water supply system (for appliances equipped with water dispenser), use a 6,4 mm (1/4") waterline with accessible shut-off valve.

The system pressure must be between from 1.7 bar to 5.5 bar (between 25 and 80 PSI). Different pressures can cause malfunctions or leaks in the water system.

For information on how to purchase the water filter, please see the product spec sheet.

For detailed installation specifications consult the multiple installation requirements page or each single product installation manual.

Dimensions in parentheses are millimeters unless otherwise specified.

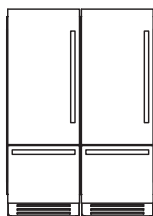
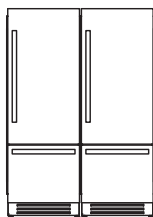
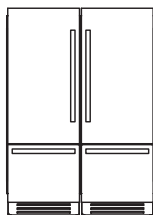
150 cm (60") Bottom Mount Double Configurations

Flush installation



POSSIBLE COMBINATIONS

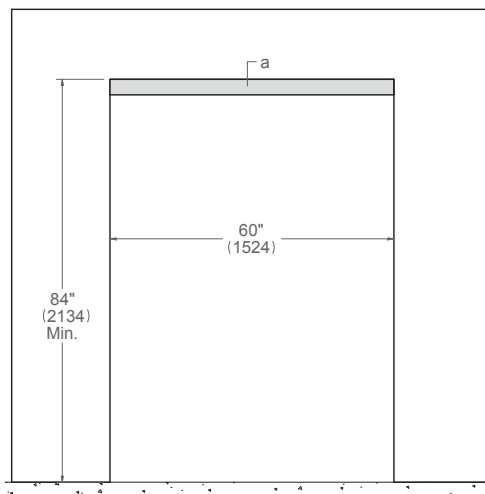
RBM75S5FPNS
RBM75S5FPNS



TOP VIEW ^b



FRONT VIEW



a Anti-tipping brackets included with appliance – 1500x5 mm (60"x3/16")

b Depth includes kitchen cabinet front panel

Dimensions in parentheses are millimeters unless otherwise specified.

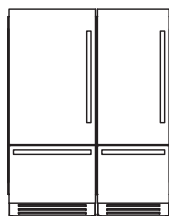
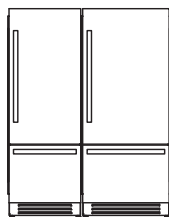
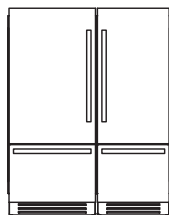
165 cm (66") Bottom Mount Double Configurations

Flush installation



POSSIBLE COMBINATIONS

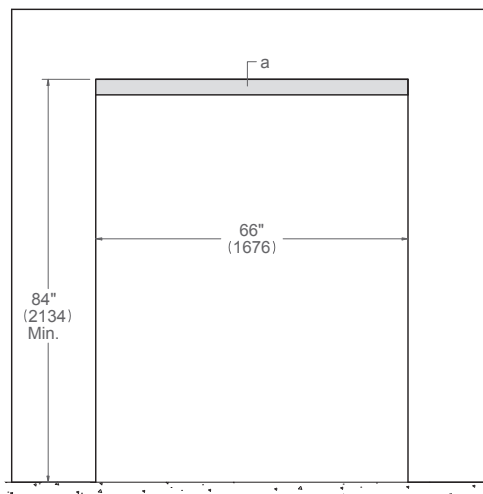
RBM75S5FPNS
RBM90S5FPNS



TOP VIEW ^b



FRONT VIEW



a Anti-tipping brackets included with appliance – 1650x5 mm (66"x3/16")

b Depth includes kitchen cabinet front panel

Dimensions in parentheses are millimeters unless otherwise specified.

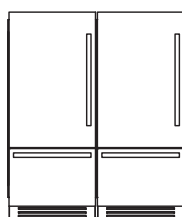
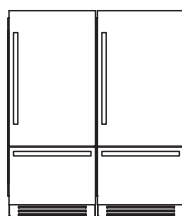
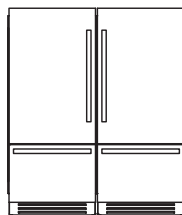
180 cm (72") Bottom Mount Double Configurations

Flush installation



POSSIBLE COMBINATIONS

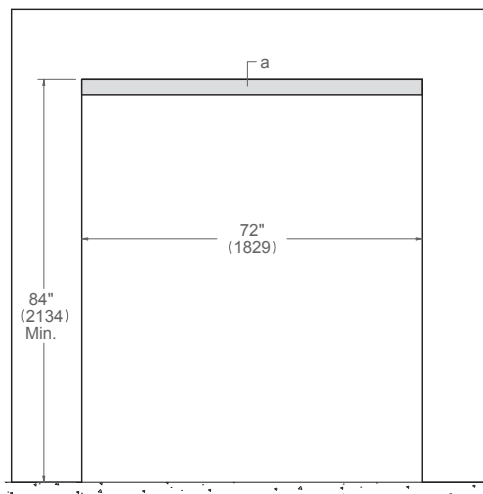
RBM90S5FPNS
RBM90S5FPNS



TOP VIEW ^b



FRONT VIEW



a Anti-tipping brackets included with appliance –
1800x5 mm (72"x3/16")

b Depth includes kitchen cabinet front panel

Dimensions in parentheses are millimeters unless otherwise specified.

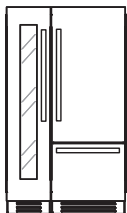
120 cm (48") Double Configurations*

Flush installation

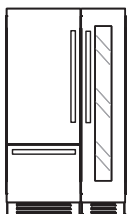


POSSIBLE COMBINATIONS ^c

RBM75S5FPNS
RWC45S5TPLS



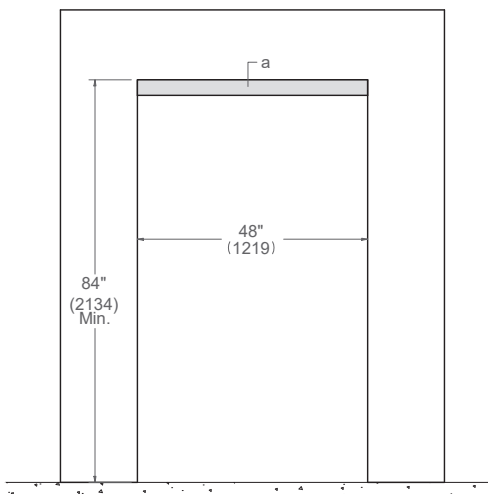
RBM75S5FPNS
RWC45S5TPRS



TOP VIEW ^b



FRONT VIEW



a: Area to be left clear for the anti-tipping brackets – 1219x 5 mm (48"x 3/16")

b: Depth includes kitchen cabinet front panel.

Dimensions in parentheses are millimeters unless otherwise specified.

* The combination of bottom mount and wine column is only available for panel ready models.

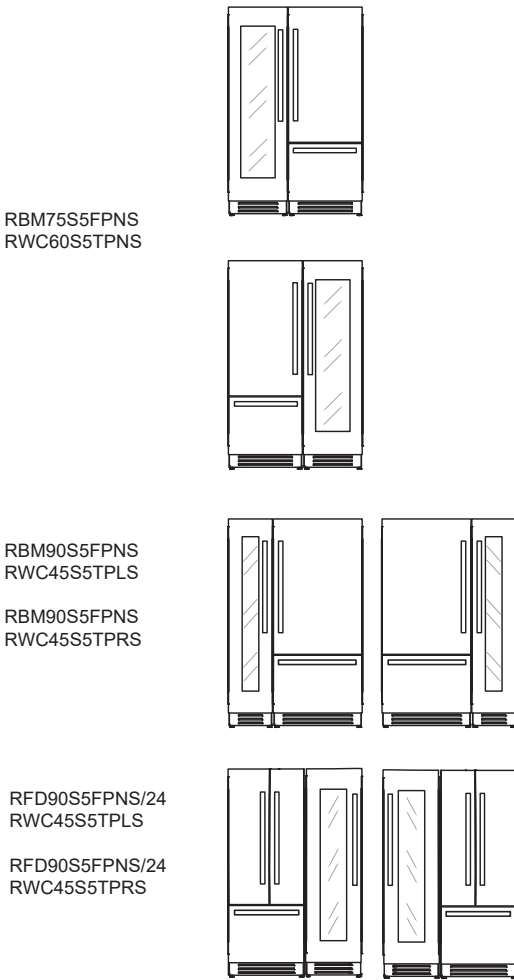
All Freezer and Wine Columns are supplied with a vertical connector trim for multiple columns installations. No additional accessories are needed.

135 cm (54") Double Configurations*

Flush installation



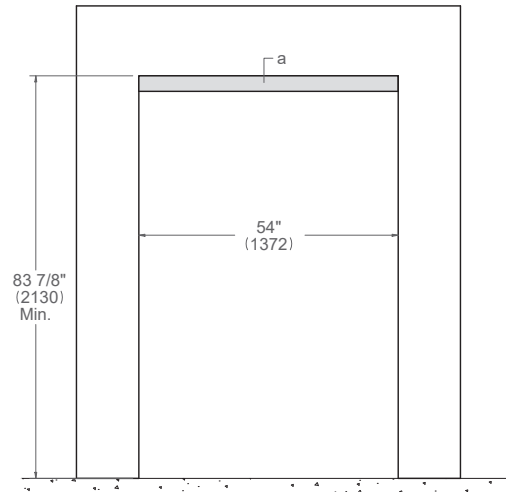
POSSIBLE COMBINATIONS



TOP VIEW^b



FRONT VIEW



a Area to be left clear for the anti-tipping brackets – 1372x5 mm (54"x3/16")

b Depth includes kitchen cabinet front panel

Dimensions in parentheses are millimeters unless otherwise specified.

* The combination of bottom mount and wine column is only available for panel ready models.

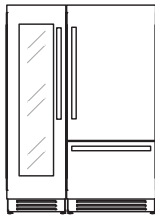
All Freezer and Wine Columns are supplied with a vertical connector trim for multiple columns installations. No additional accessories are needed.

150 cm (60") Double Configurations*

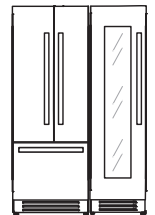
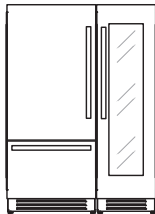
Flush installation



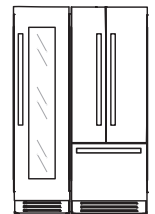
POSSIBLE COMBINATIONS



RBM90S5FPNS
RWC60S5TPNS



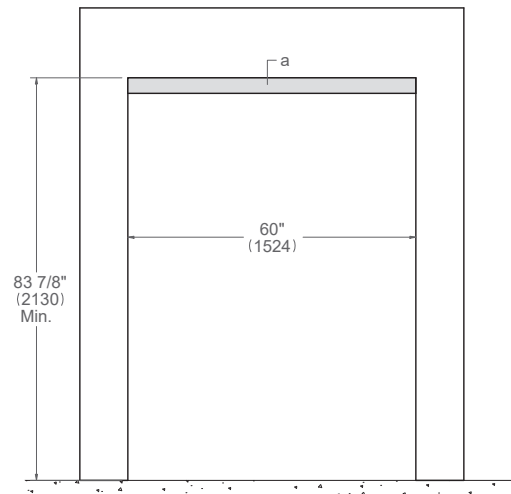
RFD90S5FPNS/24
RWC60S5TPNS



TOP VIEW^b



FRONT VIEW



a: Area to be left clear for the anti-tipping brackets – 1524x5 mm (60"x3/16")

b: Depth includes kitchen cabinet front panel.

Dimensions in parentheses are millimeters unless otherwise specified.

* The combination of bottom mount and wine column is only available for panel ready models.

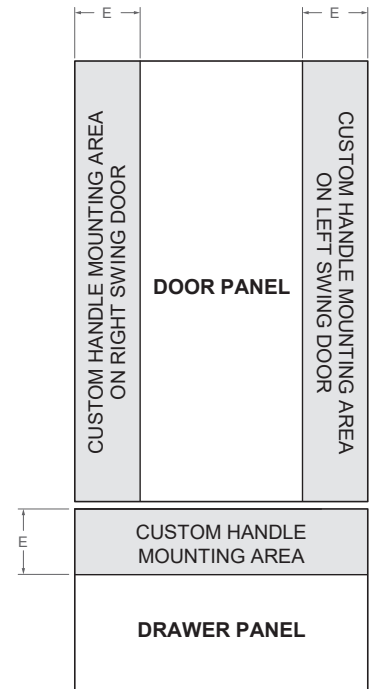
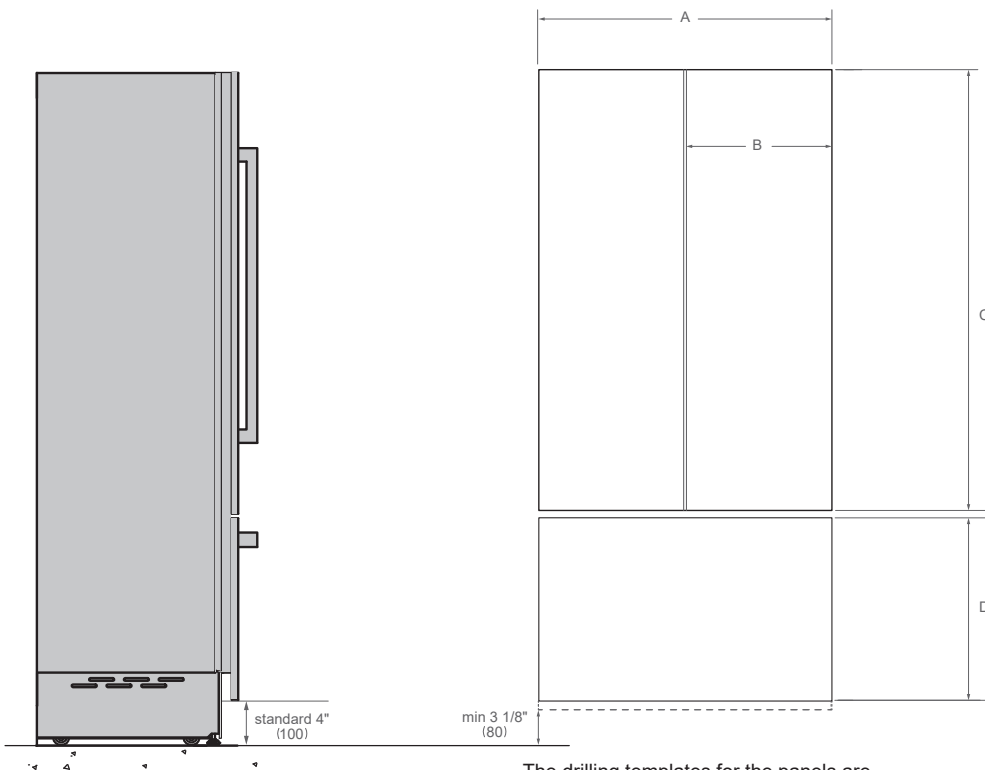
All Freezer and Wine Columns are supplied with a vertical connector trim for multiple columns installations. No additional accessories are needed.

French Door Custom Door Panel



REAR PANEL DRILLING

CUSTOM HANDLES MOUNTING AREA



The drilling templates for the panels are included in the refrigerator packaging.

	90 cm (36")
A	907 mm (35 11/16")
B	451 mm (17 3/4")
C	1297 mm (51 1/16")
D	729 mm (28 11/16")
E	182 mm (7 1/8")

Dimensions in parentheses are millimeters unless otherwise specified.

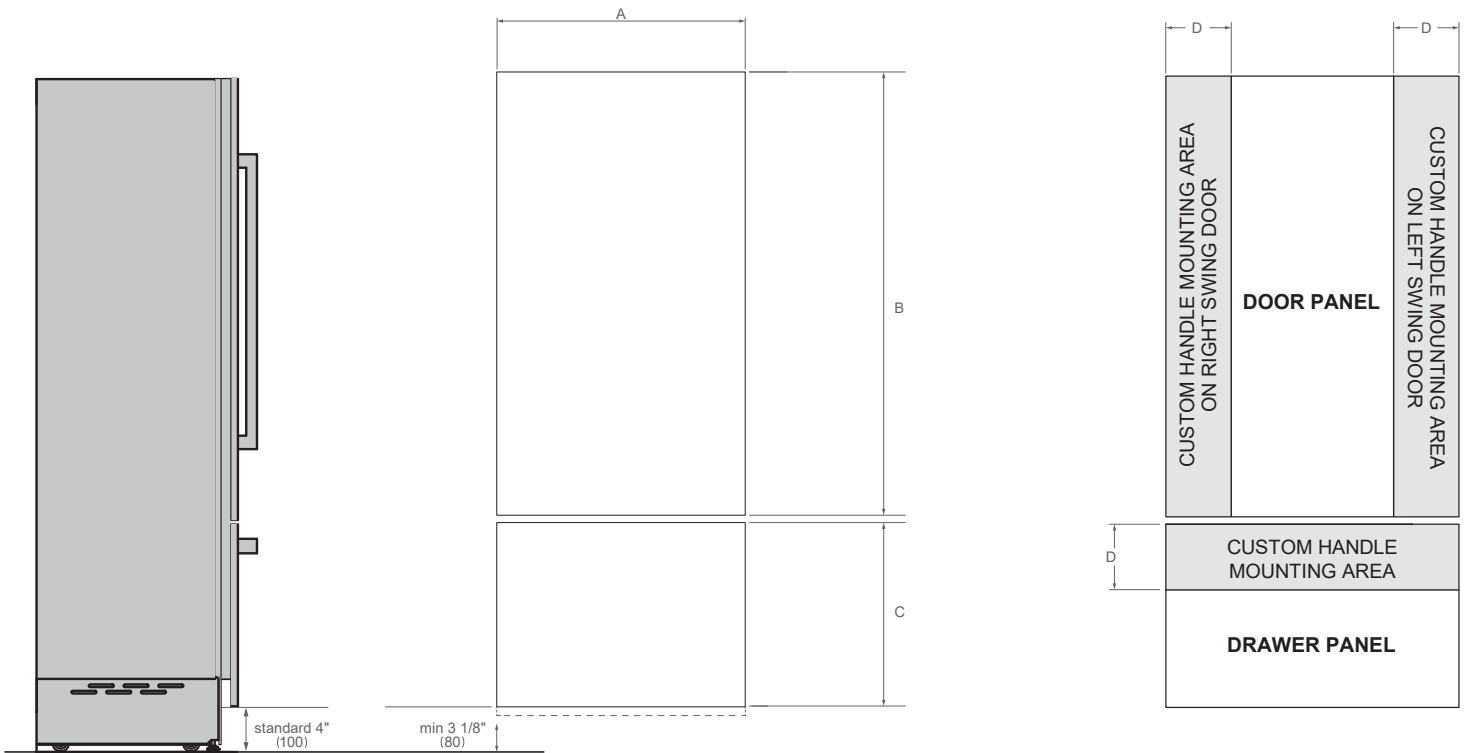
Minimum gap between custom door panels and adjacent cabinetry is 3.5 mm (1/8").

Bottom Mount Custom Door Panel



90 CM (36") & 75 CM (30") BOTTOM MOUNT REAR PANEL DRILLING

CUSTOM HANDLES MOUNTING AREA



The drilling templates for the panels are included in the refrigerator packaging.

	90 cm (36")	75 cm (30")
A	908 mm (35 3/4")	756 mm (29 3/4")
B	1297 mm (51 1/2")	1297 mm (51 1/16")
C	729 mm (28 11/16")	729 mm (28 11/16")
D	182 mm (7 1/8")	152 mm (6")

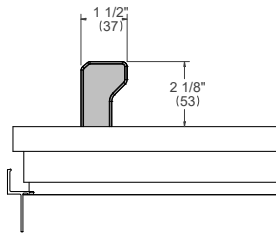
Dimensions in parentheses are millimeters unless otherwise specified.

Minimum gap between custom door panels and adjacent cabinetry is 3 mm (1/8").

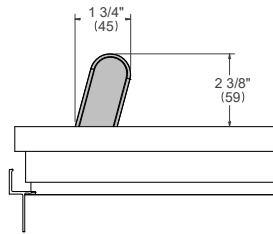
French Door Refrigeration Handles



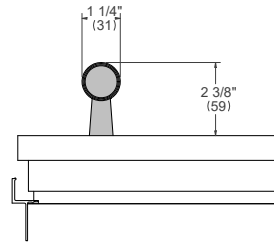
PROFESSIONAL SERIES
HK36PROFDBXV
HK36PROFDBTV



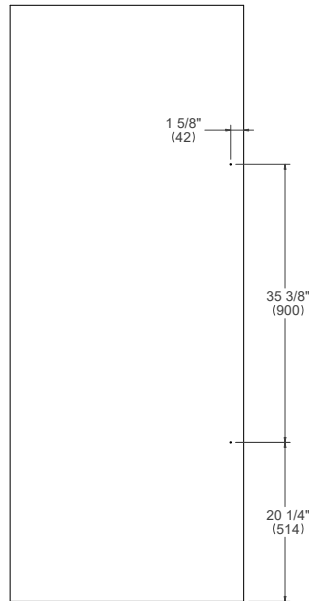
MASTER SERIES
HK36MASFDBXV



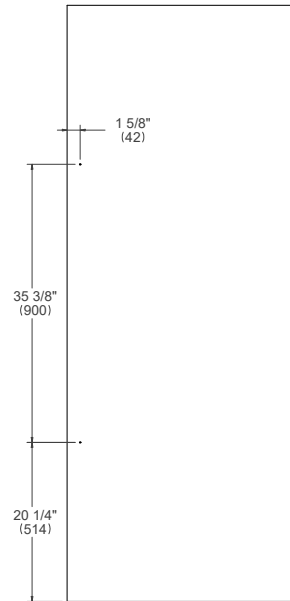
HERITAGE SERIES
HK36HERFDBXV



BERTAZZONI HANDLES
DRILLING ON LEFT SWING REFRIGERATOR DOOR



BERTAZZONI HANDLES
DRILLING ON RIGHT SWING REFRIGERATOR DOOR



HANDLE INSTALLATION ON CUSTOM PANELS

In case a custom panel is to be mounted on any of the models listed below with Bertazzoni handles, it will be necessary to install M5 x 0.8 mm brass tapping inserts in order to secure the handle properly on the custom panel. Recommended drill bit size to drill the pilot hole is 9,5 mm (3/8").

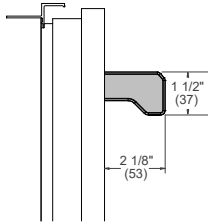
Do not use a power tool to mount the inserts. Installation of the inserts with improperly calibrated power tools risk damaging the panels.

Dimensions in parentheses are millimeters unless otherwise specified.

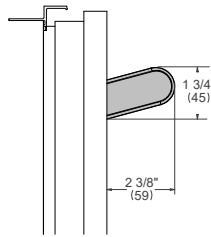
French Door Refrigeration Handles



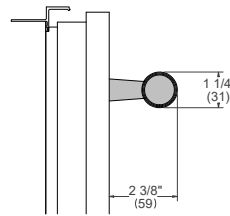
PROFESSIONAL SERIES
HK36PROFDBXV
HK36PROFDBTV



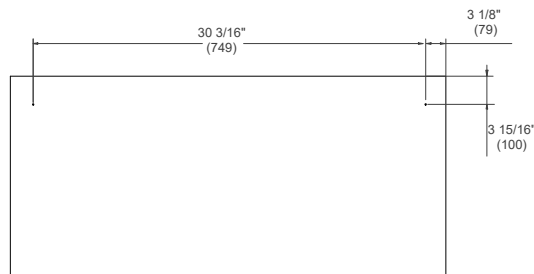
MASTER SERIES
HK36MASFDBXV



HERITAGE SERIES
HK36HERFDBXV



BERTAZZONI HANDLES
36\" (90CM) FREEZER DRAWER



HANDLE INSTALLATION ON CUSTOM PANELS

In case a custom panel is to be mounted on any of the models listed below with Bertazzoni handles, it will be necessary to install M5 x 0.8 mm brass tapping inserts in order to secure the handle properly on the custom panel. Recommended drill bit size to drill the pilot hole is 3/8".

Do not use a power tool to mount the inserts. Installation of the inserts with improperly calibrated power tools risk damaging the panels.

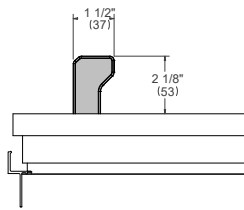
Dimensions in parentheses are millimeters unless otherwise specified.

Bottom Mount Refrigeration Handles



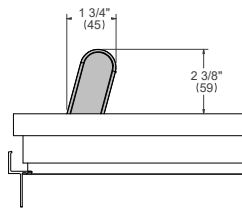
PROFESSIONAL SERIES
PROHK36PI
PROHK30PI

PROFESSIONAL SERIES
HK36PROFDBXV
HK36PROFDBTV



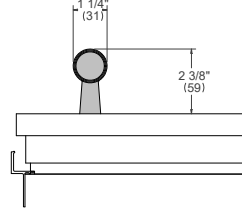
MASTER SERIES
MASHK36PI
MASHK30PI

MASTER SERIES
HK36MASFDBXV

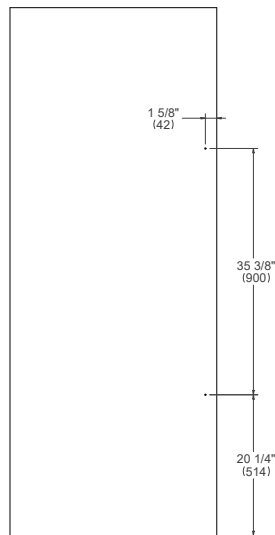


HERITAGE SERIES
HERHK36PI
HERHK30PI

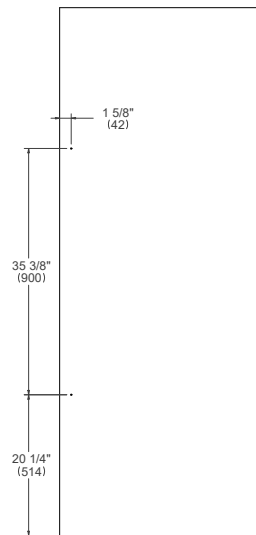
HERITAGE SERIES
HK36HERFDBXV



BERTAZZONI HANDLES
DRILLING ON LEFT SWING REFRIGERATOR DOOR



BERTAZZONI HANDLES
DRILLING ON RIGHT SWING REFRIGERATOR DOOR



HANDLE INSTALLATION ON CUSTOM PANELS

In case a custom panel is to be mounted on any of the models listed below with Bertazzoni handles, it will be necessary to install M5 x 0.8 mm brass tapping inserts in order to secure the handle properly on the custom panel.

Recommended drill bit size to drill the pilot hole is 9,5 mm (3/8").

Suitable inserts can be ordered at www.encompass.com

Part Number: 95631A100, contains n°4 M5 brass hardwood inserts and 1 M5 installation bit.

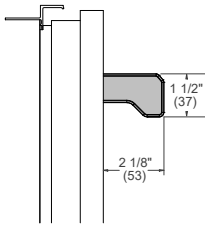
Do not use a power tool to mount the inserts. Installation of the inserts with improperly calibrated power tools risk damaging the panels.

Dimensions in parentheses are millimeters unless otherwise specified.

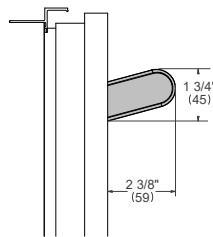
Bottom mount Refrigeration Handles



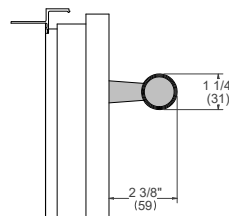
PROFESSIONAL SERIES
HK36PROFDBXV
HK36PROFDBTV



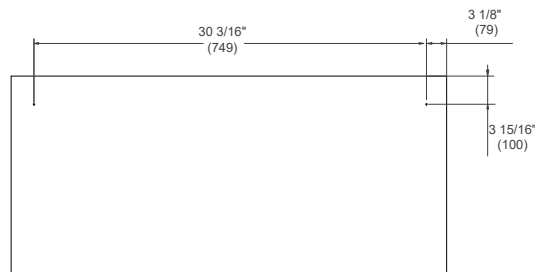
MASTER SERIES
HK36MASFDBXV



HERITAGE SERIES
HK36HERFDBXV



BERTAZZONI HANDLES
36" (90CM) FREEZER DRAWER



HANDLE INSTALLATION ON CUSTOM PANELS

In case a custom panel is to be mounted on any of the models listed below with Bertazzoni handles, it will be necessary to install M5 x 0.8 mm brass tapping inserts in order to secure the handle properly on the custom panel. Recommended drill bit size to drill the pilot hole is 3/8".

Do not use a power tool to mount the inserts. Installation of the inserts with improperly calibrated power tools risk damaging the panels.

Dimensions in parentheses are millimeters unless otherwise specified.

BERTAZZONI.COM



TO COOK BEAUTIFULLY